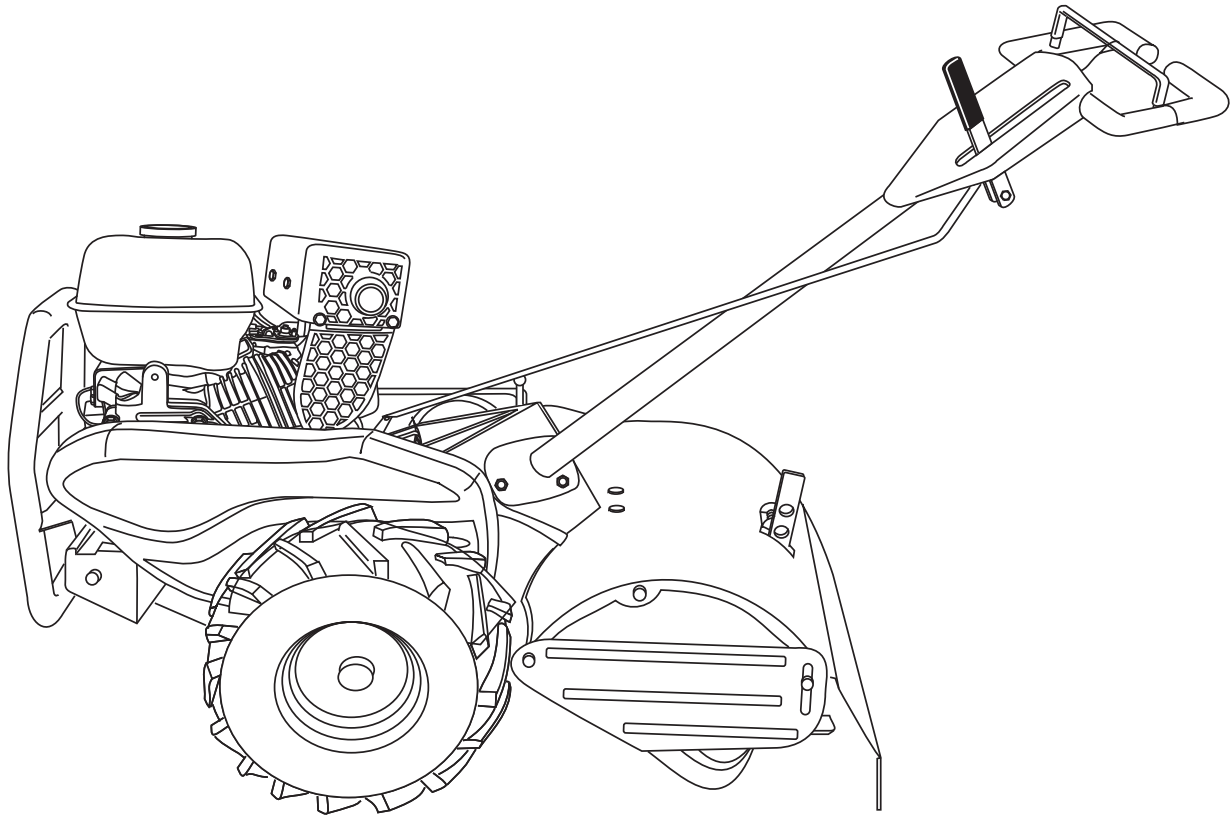


POULAN[®]PRO



OPERATOR'S MANUAL

MODEL:

PPCRT17

REAR TINE TILLER

⚠ WARNING:

Read this Manual and follow all Warnings and Safety Instructions. Failure to do so can result in serious injury.

ALWAYS WEAR EYE PROTECTION DURING OPERATION

Visit our website: www.poulanpro.com

Gasoline containing up to 10% ethanol (E10) is acceptable for use in this machine. The use of any gasoline exceeding 10% ethanol (E10) will void the product warranty.



SAFETY RULES



SAFE OPERATION PRACTICES FOR POWERED WALK-BEHIND ROTARY TILLERS AND HAND-SUPPORTED CULTIVATORS

TRAINING

- Read, understand, and follow all instructions on the machine and in the manual(s) before starting. Be thoroughly familiar with the controls and the proper use of the equipment. Know how to stop the machine and disengage the controls quickly.
- Never allow children to operate the equipment. Never allow adults to operate the equipment without proper instruction.
- Keep the area of operation clear of all persons, particularly small children, and pets.

PREPARATION

- Thoroughly inspect the area where the equipment is to be used and remove all foreign objects.
- Disengage all clutches and shift into neutral before starting the engine (motor).
- Do not operate in shorts or open toed shoes. Wear proper Personal Protective Equipment (PPE) at all times, such as gloves, proper footwear, and eye protection.
- Use extension cords and receptacles as specified by the manufacturer for all machines with electric drive motor or electric starting motors.
- Never attempt to make any adjustments while the engine (motor) is running (except where specifically recommended by the manufacturer).

SAFE HANDLING OF GASOLINE:

- To avoid personal injury or property damage, use extreme care in handling gasoline. Gasoline is extremely flammable and the vapors are explosive.
- Extinguish all cigarettes, cigars, pipes, and other sources of ignition.
- Use only an approved gasoline container.
- Never remove gas cap or add fuel with the engine running.
- Allow engine to cool before refueling.
- Never refuel the machine indoors.
- Never store the machine or fuel container where there is an open flame, spark, or pilot light such as on a water heater or other appliance.
- Never fill containers inside a vehicle or on a truck or trailer bed with a plastic liner. Always place containers on the ground away from your vehicle before filling.
- Remove gas powered equipment from the truck or trailer and refuel it on the ground. If this is not possible, then refuel such equipment with a portable container, rather than from a gasoline dispenser nozzle.
- Keep the nozzle in contact with the rim of the fuel tank or container opening at all times until fueling is complete. Do not use a nozzle lock open device.
- If fuel is spilled on clothing, change clothing immediately.
- Never overfill fuel tank. Replace gas cap and tighten securely.
- If fuel is spilled, do not attempt to start engine but move the machine away from the area of spillage and avoid creating any source of ignition until fuel vapors have dissipated.

OPERATION

- Do not allow hands, feet, or other body parts or clothing near the rotating tines or any other moving part. The tines begin to rotate once the engine/motor is started and the activating device is engaged. The tines may momentarily rotate after the activating device is released.
- Exercise extreme caution when crossing gravel surfaces. Stay alert for hidden hazards or traffic.
- After striking a foreign object, stop the engine (motor), remove the wire from the spark plug (or disconnect the cord for electric products), thoroughly inspect the machine for any damage, and repair the damage before restarting and operating the machine.
- Exercise caution to avoid slipping or falling.
- If the machine should start to vibrate abnormally, stop the engine (motor) and check immediately for the cause. Vibration is general a warning sign of trouble.
- Stop the engine (motor) when leaving the operating position, before unclogging the tines, and when making any repairs, adjustments, and inspections.
- Stop the engine (motor) when leaving the machine unattended.
- Before cleaning, repairing, or inspecting, shut off the engine and make certain all moving parts have stopped. Disconnect the spark plug wire, and keep the wire away from the plug to prevent accidental starting. Disconnect the cord on electric motors.
- Do not operate the engine in a confined space where dangerous carbon monoxide fumes can collect.
- Never operate the machine without proper shields and guards or other safety protective devices in place.
- Do not overload the machine capacity by attempting to till or cultivate too deep at too fast a rate.
- Never operate the machine at high transport speeds on hard or slippery surfaces.
- Never allow bystanders near the machine, especially small children.
- Use only attachments and accessories approved by the manufacturer of the machine (such as wheel weights, counterweights, and the like).
- Never operate the tiller without good visibility or light.
- Be careful when tilling in hard ground. The tines may catch in the ground and propel the tiller forward. If this occurs, let go of the handlebars and do not restrain the machine.
- Use extreme caution when reversing or pulling the machine towards you. To avoid getting pinned against a structure, ensure adequate distance before reversing near a wall or fence. For machines with powered reverse drive capability, familiarize yourself with the operation of the Emergency Stop Control. It provides a secondary means of stopping power to the tines and wheel drive in an emergency.
- Do not change the engine governor settings or over speed the engine.
- Start the engine or switch on the motor carefully according to instructions and with feet away from the tines.



SAFETY RULES



SAFE OPERATION PRACTICES FOR POWERED WALK-BEHIND ROTARY TILLERS AND HAND-SUPPORTED CULTIVATORS

- Never pick up or carry a machine while the engine (motor) is running.
- Do not operate the tiller while under the influence of alcohol or drugs.
- Powered walk-behind tiller work is strenuous. You must be in good physical condition and mentally alert. If you have any condition that might be aggravated by strenuous work, check with your doctor before operating a powered walk-behind tiller.

MAINTENANCE AND STORAGE

- Keep machine, attachments, and accessories in safe working condition.
- Check shear bolts, engine mounting bolts, and other bolts at frequent intervals for proper tightness to be sure the equipment is in safe working condition.
- Never store the machine with fuel in the fuel tank inside a building where ignition sources are present, such as hot water and space heaters, clothes dryers, and the like. Allow the engine to cool before storing in any enclosure.
- Always refer to the operator's manual for important details if the tiller is to be stored for an extended period.
- If the fuel tank has to be drained, do this outdoors.
- Follow the manufacturer's recommendations for safe loading, unloading, transport, and storage of machine.

- IMPORTANT -

CAUTIONS, IMPORTANTS, AND NOTES ARE A MEANS OF ATTRACTING ATTENTION TO IMPORTANT OR CRITICAL INFORMATION IN THIS MANUAL.

IMPORTANT: USED TO ALERT YOU THAT THERE IS A POSSIBILITY OF DAMAGING THIS EQUIPMENT.

NOTE: Gives essential information that will aid you to better understand, incorporate, or execute a particular set of instructions.



Look for this symbol to point out important safety precautions. It means CAUTION!!! BECOME ALERT!!! YOUR SAFETY IS INVOLVED.



CAUTION: Always disconnect spark plug wire and place wire where it cannot contact spark plug in order to prevent accidental starting when setting up, transporting, adjusting or making repairs.


WARNING


The engine exhaust from this product contains chemicals known to the State of California to cause cancer, birth defects, or other reproductive harm.

PRODUCT SPECIFICATIONS

| | |
|--|---|
| GASOLINE CAPACITY: | 1.47 Quarts (1,4 L) Unleaded Regular |
| OIL (API SJ-SN): (Capacity: 16 oz./0,47L) | SAE 30 (Above 32°F/0°C) SAE 5W-30 (Below 32°F/0°C) |
| SPARK PLUG : (GAP: .010"/0.25mm) | NGK BPR6ES TORCH F6RTC |

CONGRATULATIONS on your purchase of a new tiller. It has been designed, engineered and manufactured to give you the best possible dependability and performance.

Should you experience any problems you cannot easily remedy, please contact your nearest authorized service center. We have competent, well-trained technicians and the proper tools to service or repair this unit.

Please read and retain this manual. The instructions will enable you to assemble and maintain your tiller properly. Always observe the "SAFETY RULES".

CUSTOMER RESPONSIBILITIES

- Read and observe the safety rules.
- Follow a regular schedule in maintaining, caring for and using your tiller.
- Follow instructions under "Maintenance" and "Storage" sections of this Owner's Manual.

IMPORTANT: THIS UNIT IS EQUIPPED WITH AN INTERNAL COMBUSTION ENGINE AND SHOULD NOT BE USED ON OR NEAR ANY UNIMPROVED FOREST-COVERED, BRUSH-COVERED OR GRASS COVERED LAND UNLESS THE ENGINE'S EXHAUST SYSTEM IS EQUIPPED WITH A SPARK ARRESTER MEETING APPLICABLE LOCAL LAWS (IF ANY). IF A SPARK ARRESTER IS USED, IT SHOULD BE MAINTAINED IN EFFECTIVE WORKING ORDER BY THE OPERATOR.

IN THE STATE OF CALIFORNIA, A SPARK ARRESTER IS REQUIRED BY LAW (SECTION 4442 OF THE CALIFORNIA PUBLIC RESOURCES CODE). OTHER STATES MAY HAVE SIMILAR LAWS. FEDERAL LAWS APPLY ON FEDERAL LANDS. SEE YOUR AUTHORIZED SERVICE CENTER/DEPARTMENT FOR SPARK ARRESTER.

SUPPORT / HELP

If you require assistance or have questions concerning the application, operation, maintenance or parts for your product:

- Visit our website: www.poulanpro.com
 - Call Us Toll Free: 1-800-849-1297
-

TABLE OF CONTENTS

| | | | |
|---------------------------------|------|-----------------------------|-------|
| SAFETY RULES | 2 | MAINTENANCE SCHEDULE | 13 |
| CUSTOMER RESPONSIBILITIES | 4 | MAINTENANCE | 13-15 |
| PRODUCT SPECIFICATIONS | 4 | SERVICE & ADJUSTMENTS | 16-18 |
| ASSEMBLY..... | 5-7 | STORAGE | 19 |
| OPERATION..... | 8-12 | TROUBLESHOOTING..... | 20 |

ASSEMBLY

Your new tiller has been assembled at the factory with exception of those parts left unassembled for shipping purposes. To ensure safe and proper operation of your tiller all parts and hardware you assemble must be tightened securely. Use the correct tools as necessary to insure proper tightness.

TOOLS REQUIRED FOR ASSEMBLY

A socket wrench set will make assembly easier. Standard wrench sizes are listed.

- (1) Utility knife
- (1) Wire cutter
- (1) Screwdriver
- (1) Tire pressure gauge
- (1) Pair of pliers
- (1) 9/16" wrench
- (2) 1/2" wrenches

OPERATOR'S POSITION (See Fig. 1)

When right or left hand is mentioned in this manual, it means when you are in the operating position (standing behind tiller handles).

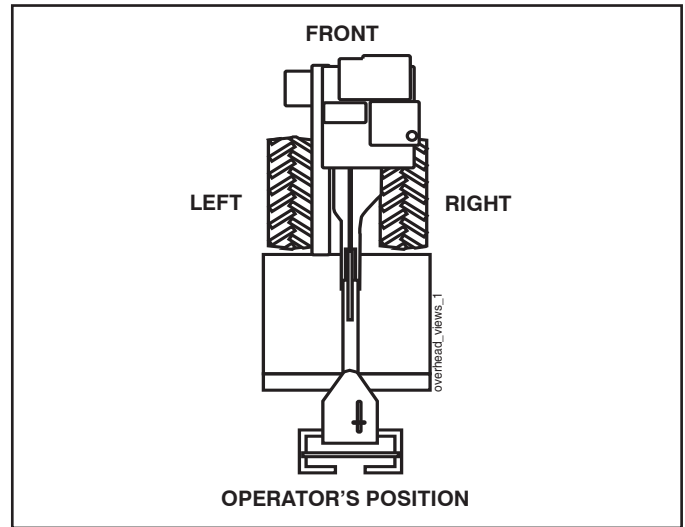
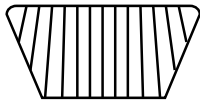
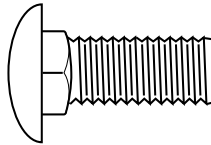


Fig. 1

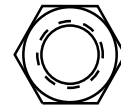
CONTENTS OF HARDWARE PACK



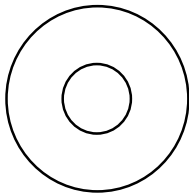
(2) Handle Locks



(1) Carriage Bolt 3/8-16 UNC x 1 Gr. 5



(1) Center Locknut 3/8-16 UNC



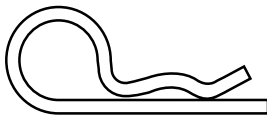
(1) Flat Washer 13/32 x 1 x 11 Ga.



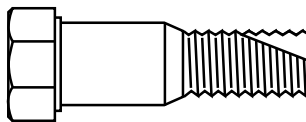
(1) Cable Clip



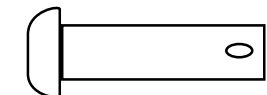
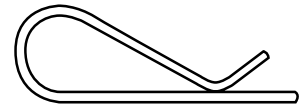
(1) Handle Lock Lever



(2) Hairpin Clips



(1) Pivot Bolt
3/8-16 UNC Grade 5



Extra Shear Pins & Clips

ASSEMBLY

UNPACKING CARTON (See Fig. 2)



CAUTION: Be careful of exposed staples when handling or disposing of carton-ing material.

IMPORTANT: WHEN UNPACKING AND ASSEMBLING TILLER, BE CAREFUL NOT TO STRETCH OR KINK CABLES.

- While holding handle assembly, cut cable ties securing handle assembly to top frame. Let handle assembly rest on tiller.
- Remove top frame of carton.
- Slowly ease handle assembly up and place on top of carton.
- Cut down right hand front and right hand rear corners of carton, lay side carton wall down.
- Remove packing material from handle assembly.
- Separate shift rod from handle assembly.

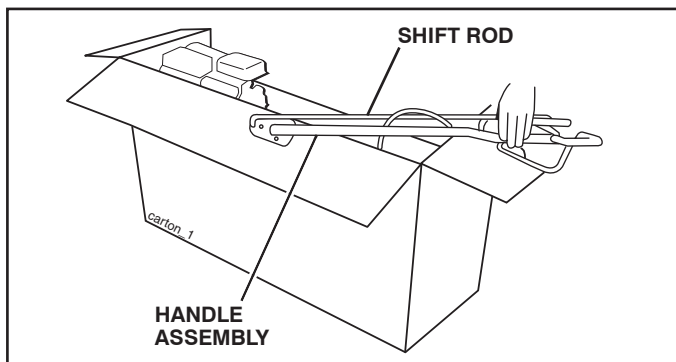


Fig. 2

INSTALL HANDLE (See Figs. 3, 4, and 5)

- Insert one handle lock (with teeth facing outward) in gearcase notch. (Apply grease on smooth side of handle lock to aid in keeping lock in place until handle assembly is lowered into position.)

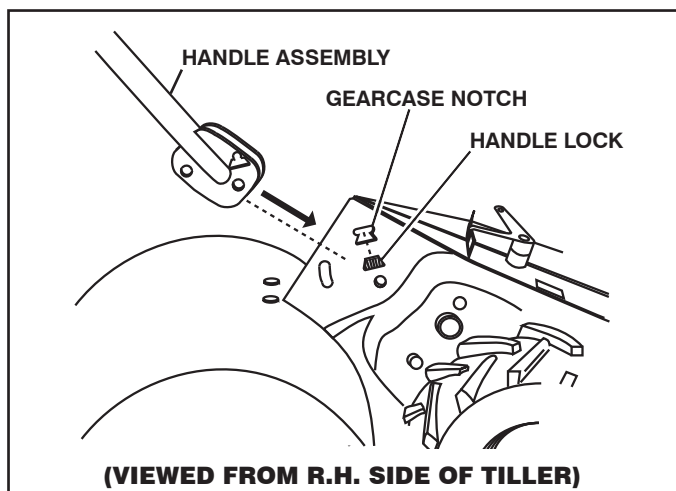


Fig. 3

- Grasp handle assembly. Hold in "up" position. Be sure handle lock remains in gearcase notch. Slide handle assembly into position.

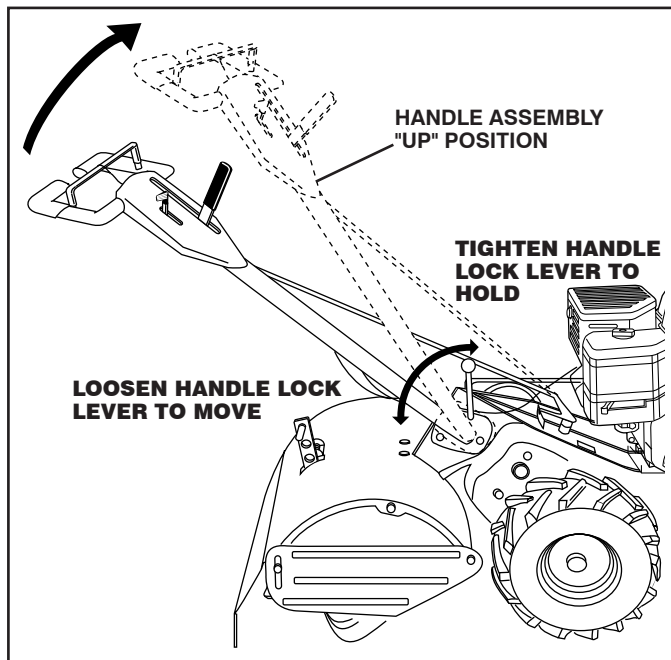


Fig. 4

- Rotate handle assembly down. Insert rear carriage bolt first, with head of bolt on L.H. side of tiller and loosely assemble locknut (See Fig. 5).

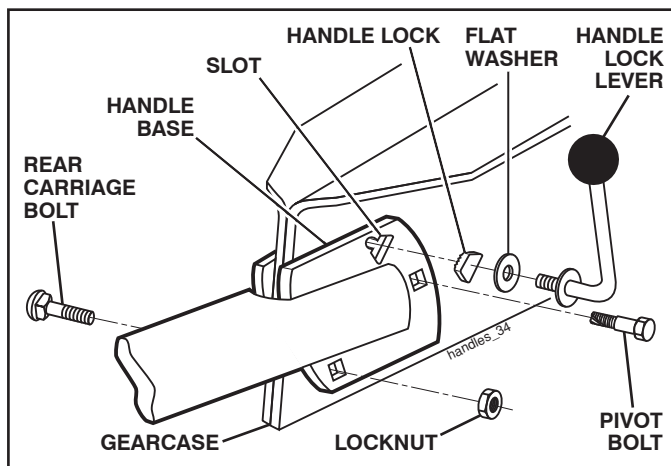


Fig. 5

- Insert pivot bolt in front part of plate and tighten.
- Cut down remaining corners of carton and lay panels flat.
- Lower the handle assembly. Tighten nut on carriage bolt so handle moves with some resistance. This will allow for easier adjustment.
- Place flat washer on threaded end of handle lock lever.
- Insert handle lock lever through handle base and gearcase. Screw in handle lock lever just enough to hold lever in place.
- Insert second handle lock (with teeth inward) in the slot of the handle base (just inside of washer).
- Raise handle assembly to highest position and securely tighten handle lock lever by rotating clockwise. Leaving handle assembly in highest position will make it easier to connect shift rod.

ASSEMBLY

INSERT CABLE CLIP (See Fig. 6)

- Insert plastic cable clip into hole on the back of handle column. Push cables into clip.

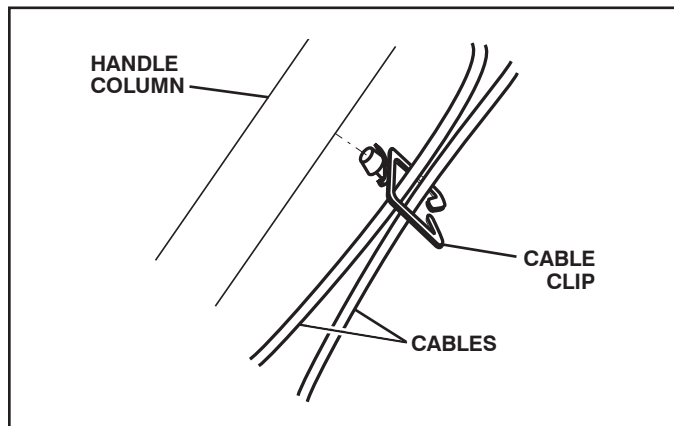


Fig. 6

CONNECT SHIFT ROD (See Fig. 7)

- Insert end of shift rod farthest from bend into hole of shift lever indicator.
- Insert hairpin clip through hole of shift rod to secure with bend of clip on right side.

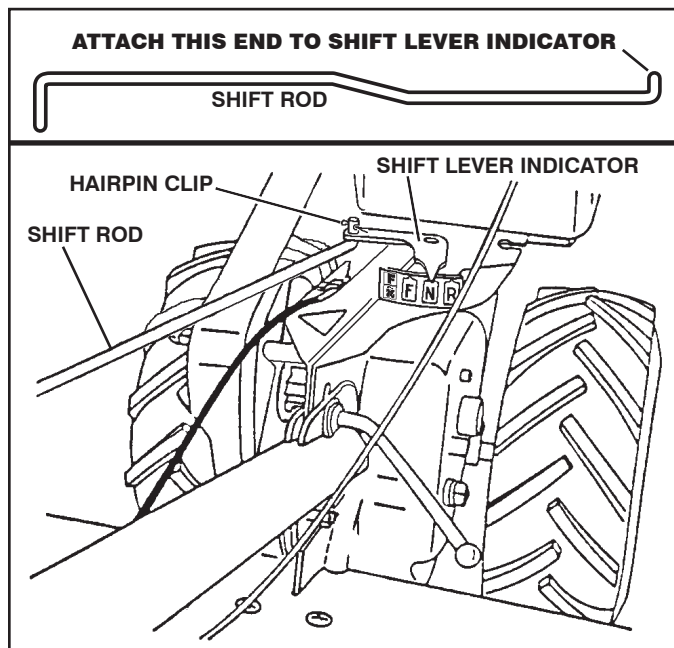


Fig. 7

REMOVE TILLER FROM CRATE

- Adjust handle assembly to lowest position. Be sure lock lever is tightened securely.
- Make sure shift lever indicator is in "N" (neutral) position (See Fig. 7)
- Tilt tiller forward by lifting handle. Separate cardboard cover from leveling shield.
- Rotate tiller handle to the right and pull tiller out of carton.

CHECK TIRE PRESSURE

The tires on your unit were overinflated at the factory for shipping purposes. Correct and equal tire pressure is important for best tilling performance.

- Make sure tires are properly inflated to the PSI shown on tires.

HANDLE HEIGHT

- Handle height may be adjusted to better suit operator. (See "TO ADJUST HANDLE HEIGHT" in the Service and Adjustments section of this manual).

OPERATION

KNOW YOUR TILLER

READ THIS OWNER'S MANUAL AND SAFETY RULES BEFORE OPERATING YOUR TILLER.

Compare the illustrations with your tiller to familiarize yourself with the location of various controls and adjustments. Save this manual for future reference.

These symbols may appear on your Tiller or in literature supplied with the product. Learn and understand their meaning.

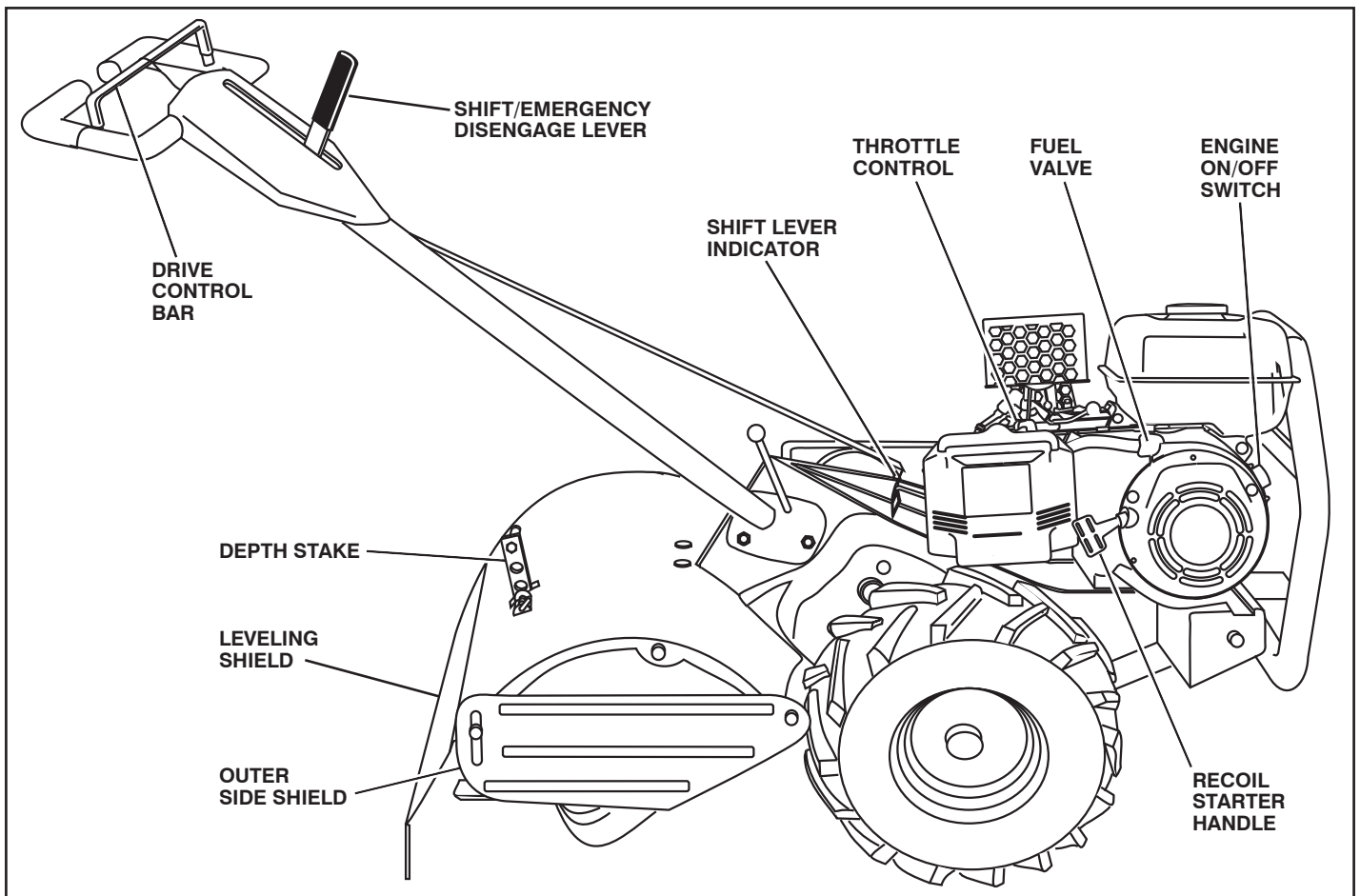
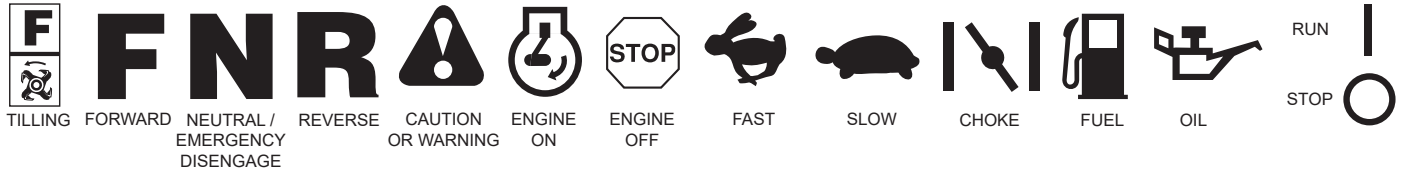


Fig. 8

MEETS ANSI SAFETY REQUIREMENTS

Our tillers conform to the safety standards of the American National Standards Institute.

ENGINE ON/OFF SWITCH - The engine switch enables and disables the ignition system.

FUEL VALVE - The fuel valve opens and closes the passage between the fuel tank and the carburetor.

DEPTH STAKE - Controls depth at which tiller will dig.

DRIVE CONTROL BAR - Used to engage tines.

LEVELING SHIELD - Levels tilled soil.

OUTER SIDE SHIELD - Adjustable to protect small plants from being buried.

RECOIL STARTER HANDLE - Used to start the engine.

SHIFT/EMERGENCY DISENGAGE LEVER - Used to shift transmission gears and to disengage powered drive and tines.

SHIFT LEVER INDICATOR - Shows which gear the transmission is in.

THROTTLE CONTROL - Controls engine speed.

OPERATION



The operation of any tiller can result in foreign objects thrown into the eyes, which can result in severe eye damage. Always wear safety glasses or eye shields before starting your tiller and while tilling. We recommend a wide vision safety mask over spectacles or standard safety glasses.



Use ear protectors to avoid damage to hearing.

HOW TO USE YOUR TILLER

Know how to operate all controls before adding fuel and oil or attempting to start engine.

STOPPING (See Fig. 9)

TINES AND DRIVE

- Release drive control bar to stop movement.
- Move shift / emergency disengage lever to "N" (neutral) position.

IMPORTANT: TO STOP TINES AND POWERED DRIVE IN AN EMERGENCY, MOVE SHIFT/EMERGENCY DISENGAGE LEVER TO THE NEUTRAL/EMERGENCY DISENGAGE POSITION.

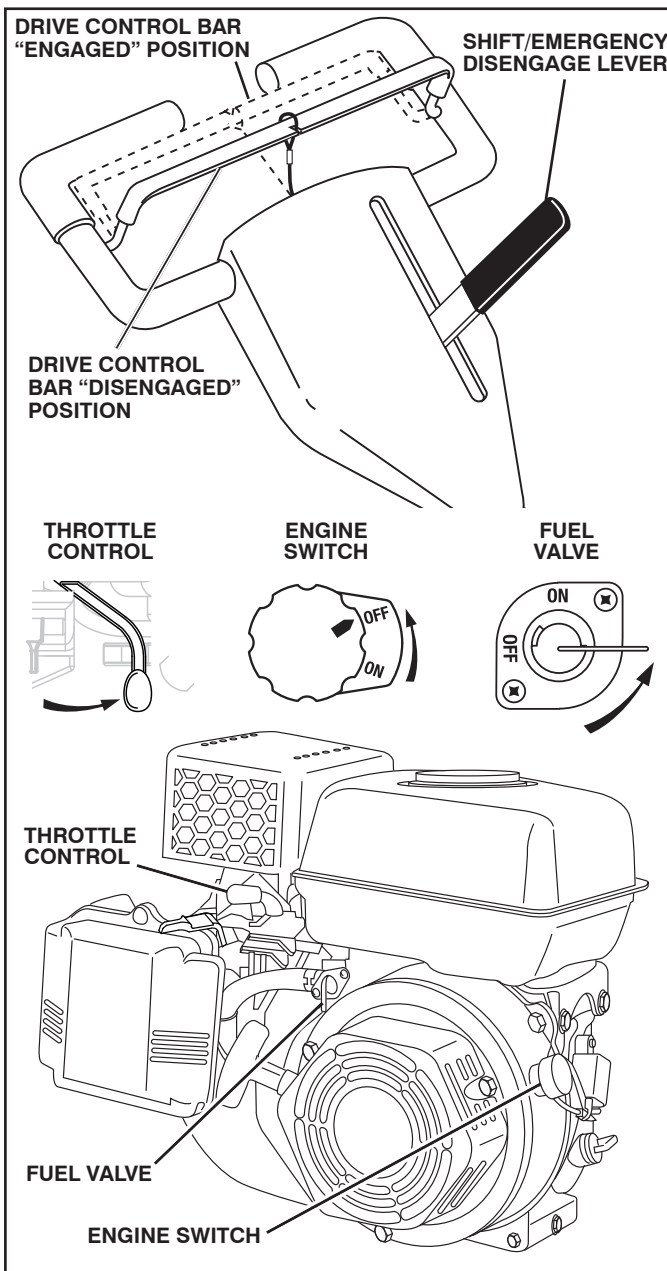


Fig. 9

ENGINE

2. Move throttle control to "SLOW" position and allow the engine to run slowly for cool down.
3. Turn the engine switch to the "OFF" Position.
4. Turn the fuel valve lever to the "OFF" Position.

NOTE: NEVER USE CHOKE TO STOP ENGINE.

IMPORTANT: TO STOP ENGINE IN AN EMERGENCY, TURN THE ENGINE SWITCH TO THE OFF POSITION.

TINE OPERATION - WITH WHEEL DRIVE

(See Fig. 9)

- Always release drive control bar before moving shift lever into another position.
- Tine movement is achieved by moving shift lever to (N) till position and engaging drive control bar.

FORWARD - WHEELS ONLY / TINES STOPPED

- Release drive control bar and move shift lever indicator to "F" (forward) position. Engage drive control bar and tiller will move forward.

REVERSE - WHEELS ONLY/TINES STOPPED

- DO NOT STAND DIRECTLY BEHIND TILLER.
- Release the drive control bar.
- Move throttle control to "SLOW" position.
- Move shift lever indicator to "R" (reverse) position.
- Hold drive control bar against the handle to start tiller movement.

HARD TO SHIFT GEARS

- Briefly engage drive control bar and release or rock tiller forward and backward until are able to shift gears.

DEPTH STAKE (See Fig. 10)

The depth stake can be raised or lowered to allow you more versatile tilling and cultivating, or to more easily transport your tiller.

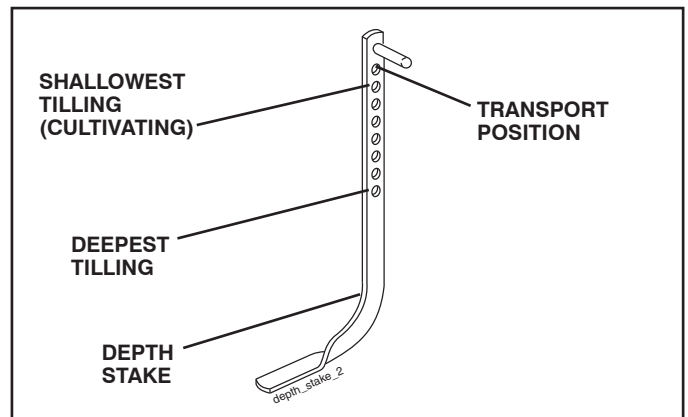


Fig. 10

OPERATION

TILLING (See Fig. 11)

- Release depth stake pin. Pull the depth stake up for increased tilling depth. Place depth stake pin in hole of depth stake to lock in position.
- Place shift lever indicator in tilling position.
- Hold the drive control bar against the handle to start tilling movement. Tines and wheels will both turn.
- Move throttle control to "FAST" position for deep tilling. To cultivate, throttle control can be set at any desired speed, depending on how fast or slow you wish to cultivate.

IMPORTANT: ALWAYS RELEASE DRIVE CONTROL BAR BEFORE MOVING SHIFT LEVER INTO ANOTHER POSITION.

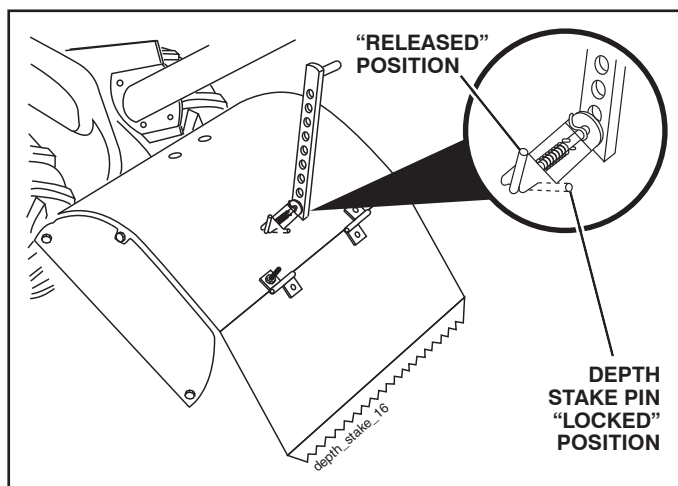


Fig. 11

TURNING

- Release the drive control bar.
- Move throttle control to "SLOW" position.
- Place shift lever indicator in "F" (forward) position. Tines will not turn.
- Lift handle to raise tines out of ground.
- Swing the handle in the opposite direction you wish to turn, being careful to keep feet and legs away from tines.
- When you have completed your turn-around, release the drive control bar and lower handle. Place shift lever in till position and move throttle control to desired speed. To begin tilling, hold drive control bar against the handle.

TO TRANSPORT



CAUTION: Before lifting or transporting, allow tiller engine and muffler to cool. Disconnect spark plug wire. Drain gasoline from fuel tank.

AROUND THE YARD

- Release the depth stake pin. Move the depth stake down to the top hole for transporting the tiller. Place depth stake pin in hole of depth stake to lock in position. This prevents tines from scuffing the ground.
- Place shift lever indicator in "F" (forward) position for transporting.
- Hold the drive control bar against the handle to start tiller movement. Tines will not turn.

- Move throttle control to desired speed.

AROUND TOWN

- Disconnect spark plug wire.
- Drain fuel tank.
- Transport in upright position to prevent oil leakage.

BEFORE STARTING ENGINE

IMPORTANT: BE VERY CAREFUL NOT TO ALLOW DIRT TO ENTER THE ENGINE WHEN CHECKING OR ADDING OIL OR FUEL. USE CLEAN OIL AND FUEL AND STORE IN APPROVED, CLEAN, COVERED CONTAINERS. USE CLEAN FILL FUNNELS.

CHECK ENGINE OIL LEVEL (See Fig. 12)

- The engine in your unit has been shipped, from the factory, already filled with SAE 30 summer weight oil.
- With engine level, clean area around oil filler plug and remove plug.
- Engine oil should be to point of overflowing when engine is level. For approximate capacity see "PRODUCT SPECIFICATIONS" in this manual. All oil must meet A.P.I. Service Classification SF-SJ.
- For cold weather operation you should change oil for easier starting (See "OIL VISCOSITY CHART" in the Maintenance section of this manual).
- To change engine oil, see the Maintenance section of this manual.

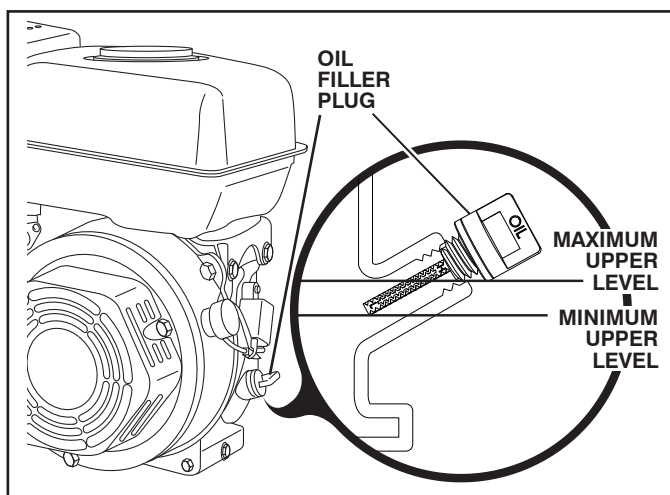


Fig. 12

OPERATION

ADD GASOLINE

- Fill fuel tank to bottom of filler neck. Do not overfill. Use fresh, clean, regular unleaded gasoline with a minimum of 87 octane. Do not mix oil with gasoline. Purchase fuel in quantities that can be used within 30 days to assure fuel freshness.



CAUTION: Fill to within 1/2 inch of top of fuel tank to prevent spills and to allow for fuel expansion. If gasoline is accidentally spilled, move machine away from area of spill. Avoid creating any source of ignition until gasoline vapors have disappeared.

Wipe off any spilled oil or fuel. Do not store, spill or use gasoline near an open flame.

IMPORTANT: WHEN OPERATING IN TEMPERATURES BELOW 32°F (0°C), USE FRESH, CLEAN WINTER GRADE GASOLINE TO HELP INSURE GOOD COLD WEATHER STARTING.



CAUTION: Alcohol blended fuels (called gasohol or using ethanol or methanol) can attract moisture which leads to separation and formation of acids during storage. Acidic gas can damage the fuel system of an engine while in storage. To avoid engine problems, the fuel system should be emptied before storage of 30 days or longer. Drain the gas tank, start the engine and let it run until the fuel lines and carburetor are empty. Use fresh fuel next season. See Storage Instructions for additional information. Never use engine or carburetor cleaner products in the fuel tank or permanent damage may occur.

TO START ENGINE (See Fig. 13)



CAUTION: KEEP TINE CONTROL IN "OFF" POSITION WHEN STARTING ENGINE.

When starting engine for the first time or if engine has run out of fuel, it will take extra pulls of the recoil starter to move fuel from the tank to the engine.

1. Make sure spark plug wire is properly connected.
2. Place the fuel valve to the "ON" position.
3. To start a cold engine, move the choke lever to the "ON" position.
4. Move the throttle lever away from the "SLOW" position, about 1/3 of the way toward the "FAST" position.
5. Turn the engine switch to the "ON" position. Pull rope out slowly until engine reaches start of compression cycle (rope will pull slightly harder at this point).
6. Pull recoil starter handle quickly. Do not let starter handle snap back against starter. Repeat if necessary.

NOTE: If engine fires but does not start, move choke control to half choke position. Pull recoil starter handle until engine starts.

7. If the choke lever has been moved to the "ON" position to start the engine, gradually move it to the opposite position as the engine warms up.

NOTE: A warm engine requires less choking to start.

8. Move throttle control to desired running position.
9. Allow engine to warm up for a few minutes before engaging tines.

NOTE: If engine does not start, see trouble-shooting points.

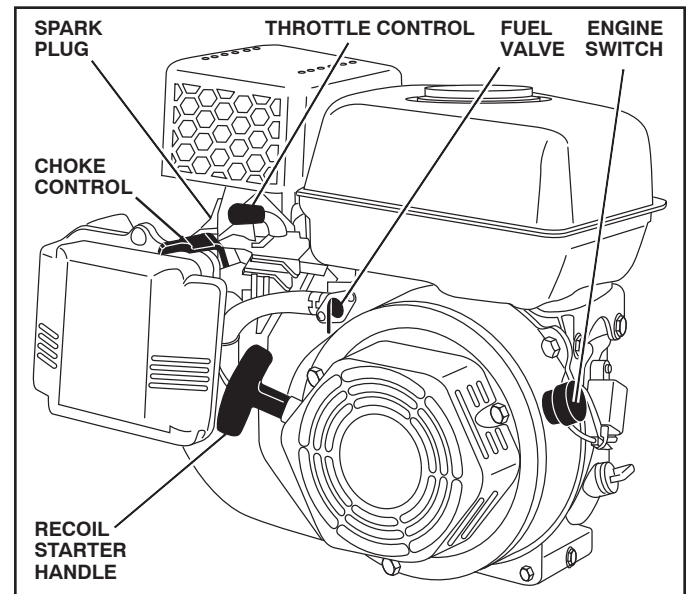


Fig. 13

OPERATION

TILLING HINTS



CAUTION: Until you are accustomed to handling your tiller, start actual field use with throttle in slow position (mid-way between “FAST” and “IDLE”).

- Tilling is digging into, turning over, and breaking up packed soil before planting. Loose, unpacked soil helps root growth. Best tilling depth is 4" to 6" (10-15 cm). A tiller will also clear the soil of unwanted vegetation. The decomposition of this vegetable matter enriches the soil. Depending on the climate (rainfall and wind), it may be advisable to till the soil at the end of the growing season to further condition the soil.
- You will find tilling much easier if you leave a row untilled between passes. Then go back between tilled rows. (See Fig. 14) There are two reasons for doing this. First, wide turns are much easier to negotiate than about-faces. Second, the tiller won't be pulling itself, and you, toward the row next to it.

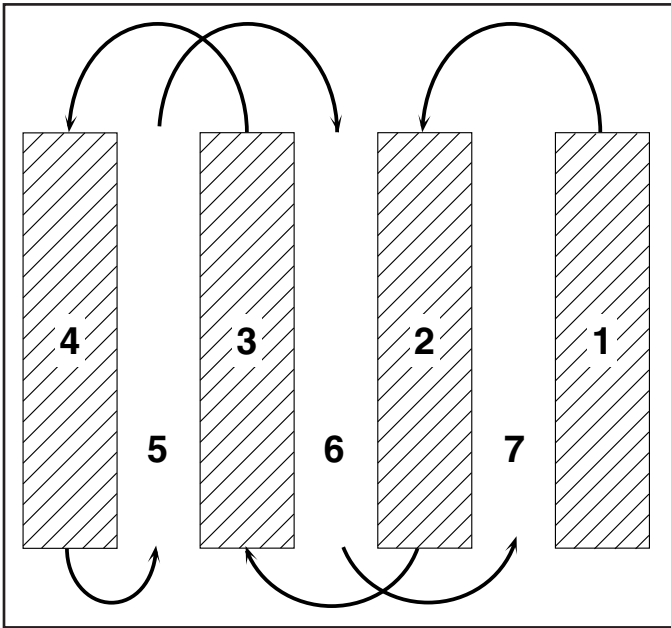


Fig. 14

- Soil conditions are important for proper tilling. Tines will not readily penetrate dry, hard soil which may contribute to excessive bounce and difficult handling of your tiller. Hard soil should be moistened before tilling; however, extremely wet soil will “ball-up” or clump during tilling. Wait until the soil is less wet in order to achieve the best results. When tilling in the fall, remove vines and long grass to prevent them from wrapping around the tine shaft and slowing your tilling operation.
- Do not lean on handle. This takes weight off the wheels and reduces traction. To get through a really tough section of sod or hard ground, apply upward pressure on handle or lower the depth stake.

CULTIVATING

Cultivating is destroying the weeds between rows to prevent them from robbing nourishment and moisture from the plants. At the same time, breaking up the upper layer of soil crust will help retain moisture in the soil. Best digging depth is 1" to 3" (2.5-7.5 cm). Lower the outer side shields to protect small plants from being buried.

- Cultivate up and down the rows at a speed which will allow tines to uproot weeds and leave the ground in rough condition, promoting no further growth of weeds and grass (See Fig. 15).

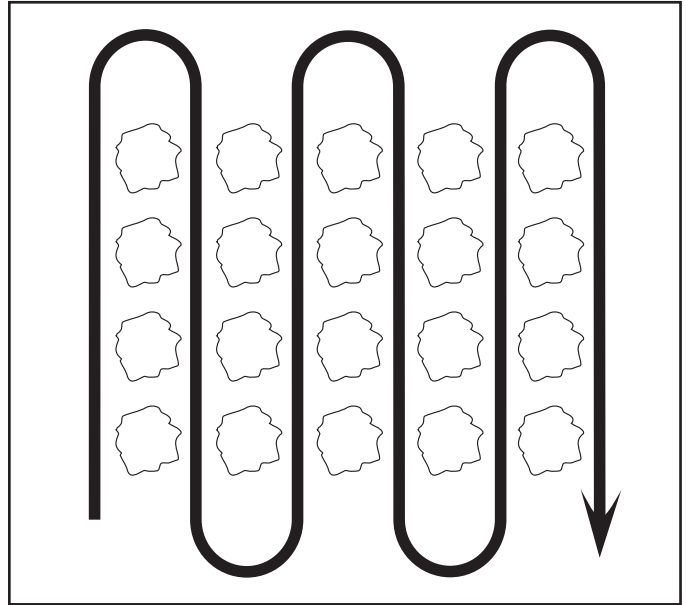


Fig. 15

TINE SHEAR PINS

The tine assemblies on your tiller are secured to the tine shaft with shear pins (See “TINE REPLACEMENT” in the Service and Adjustments section of this manual).

If the tiller is unusually overloaded or jammed, the shear pins are designed to break before internal damage occurs to the transmission.

- If shear pin(s) break, replace only with Original Equipment Manufacturer (O.E.M.) replacement parts.

MAINTENANCE

| MAINTENANCE SCHEDULE | SERVICE DATES | | | | | | | | | |
|---|-----------------|---------------|------------------|----------------|--------------|--|--|--|--|--|
| | BEFORE EACH USE | EVERY 5 HOURS | EVERY 25 HOURS | EVERY 50 HOURS | EVERY SEASON | | | | | |
| FILL IN DATES AS YOU COMPLETE REGULAR SERVICE | | | | | | | | | | |
| Check Engine Oil Level | ✓ | ✓ | | | | | | | | |
| Change Engine Oil | | | ✓ _{1,2} | | | | | | | |
| Oil Pivot Points | | ✓ | | | | | | | | |
| Inspect Spark Arrester / Muffler | | | | ✓ | | | | | | |
| Inspect Air Screen | ✓ | | | | | | | | | |
| Clean or Replace Air Cleaner Cartridge | | | ✓ ₂ | | | | | | | |
| Clean Engine Cylinder Fins | ✓ | | | | | | | | | |
| Replace Spark Plug | | | ✓ | | | | | | | |
| RH Gear Case Grease Fitting (1oz.) | | | | | ✓ | | | | | |

1 - Change more often when operating under a heavy load or in high ambient temperatures.
 2 - Service more often when operating in dirty or dusty conditions.

GENERAL RECOMMENDATIONS

The warranty on this tiller does not cover items that have been subjected to operator abuse or negligence. To receive full value from the warranty, the operator must maintain tiller as instructed in this manual.

Some adjustments will need to be made periodically to properly maintain your tiller.

All adjustments in the Service and Adjustments section of this manual should be checked at least once each season.

- Once a year you should replace the spark plug, clean or replace air filter, and check tines and belts for wear. A new spark plug and clean air filter assure proper air-fuel mixture and help your engine run better and last longer.

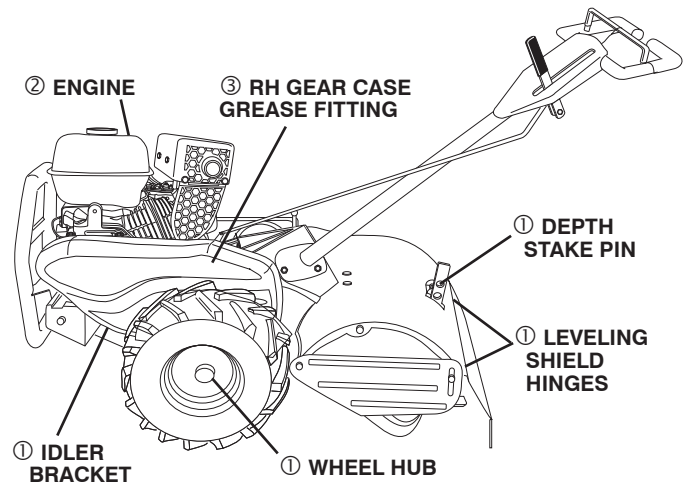
BEFORE EACH USE

- Check engine oil level.
- Check tine operation.
- Check for loose fasteners.

LUBRICATION

Keep unit well lubricated (See "LUBRICATION CHART").

LUBRICATION CHART



- ① SAE 30 OR 10W-30 MOTOR OIL
- ② REFER TO MAINTENANCE "ENGINE" SECTION
- ③ EP #1 GREASE

MAINTENANCE



Disconnect spark plug wire before performing any maintenance to prevent accidental starting of engine.

Prevent fires! Keep the engine free of grass, leaves, spilled oil, or fuel. Remove fuel from tank before tipping unit for maintenance. Clean muffler area of all grass, dirt, and debris.

Do not touch hot muffler or cylinder fins as contact may cause burns.

ENGINE

LUBRICATION

Use only high quality detergent oil rated with API service classification SJ–SN. Select the oil's SAE viscosity grade according to your expected temperature.

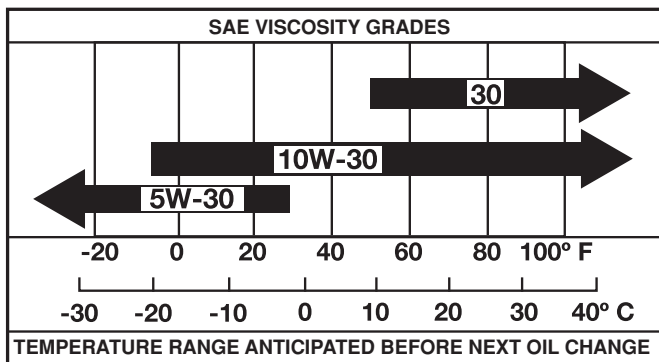


Fig. 16

NOTE: Although multi-viscosity oils (5W-30, 10W-30, etc.) improve starting in cold weather, they will result in increased oil consumption when used above 32°F (0°C). Check your engine oil level more frequently to avoid possible engine damage from running low on oil.

Change the oil after every 25 hours of operation or at least once a year if the tiller is not used for 25 hours in one year.

Check the crankcase oil level before starting the engine and after each five (5) hours of continuous use. Add SAE 30 motor oil or equivalent. Tighten oil filler plug securely each time you check the oil level.

TO CHANGE ENGINE OIL (See Figs. 16 and 17)

Determine temperature range expected before oil change. All oil must meet API service classification SJ–SN.

- Be sure tiller is on level surface.
- Oil will drain more freely when warm.
- Use a funnel to prevent oil spill on tiller, and catch oil in a suitable container.
- Remove drain plug.
- Tip tiller forward to drain oil.
- After oil has drained completely, replace oil drain plug and tighten securely.
- Remove oil filler plug. Be careful not to allow dirt to enter the engine.
- Refill engine with oil. See "CHECK ENGINE OIL LEVEL" in the Operation section of this manual.

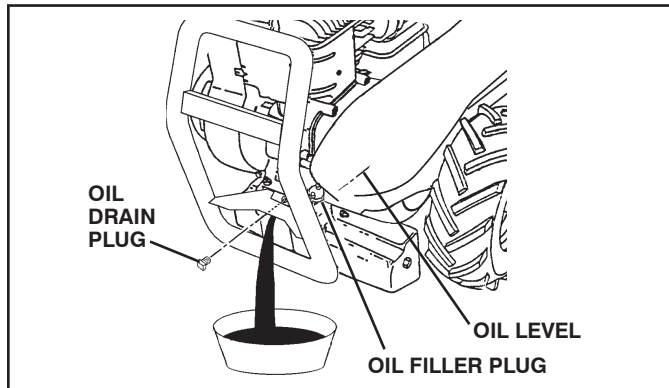


Fig. 17

AIR CLEANER (See Fig. 18)

Service air cleaner cartridge every twenty-five hours, more often if engine is used in very dusty conditions.

- Loosen air cleaner screws, one on each side of cover.
- Remove air cleaner cover.
- Carefully remove air cleaner cartridge. Be careful. Do not allow dirt or debris to fall into carburetor.
- Clean by tapping gently on a flat surface.
- If very dirty or damaged, replace cartridge.
- Clean and replace cover. Tighten screws securely.

IMPORTANT: PETROLEUM SOLVENTS, SUCH AS KEROSENE, ARE NOT TO BE USED TO CLEAN THE CARTRIDGE. THEY MAY CAUSE DETERIORATION OF THE CARTRIDGE. DO NOT OIL CARTRIDGE. DO NOT USE PRESSURIZED AIR TO CLEAN OR DRY CARTRIDGE.

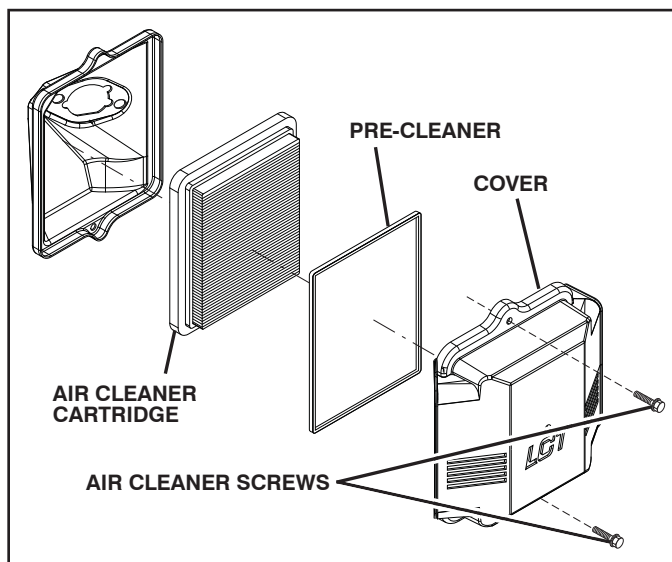


Fig. 18

COOLING SYSTEM (See Fig. 19)

Your engine is air cooled. For proper engine performance and long life keep your engine clean.

- Clean air screen frequently using a stiff-bristled brush.
- Remove blower housing and clean as necessary.
- Keep cylinder fins free of dirt and chaff.

MAINTENANCE

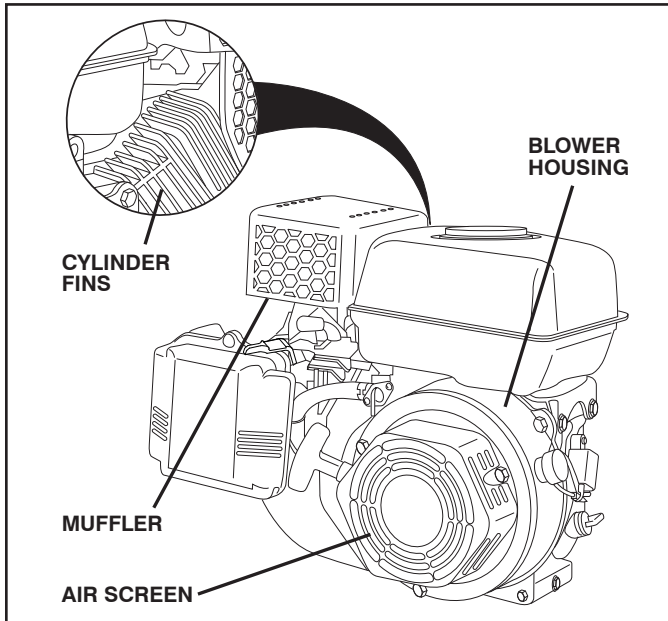


Fig. 19

MUFFLER

Do not operate tiller without muffler. Do not tamper with exhaust system. Damaged mufflers or spark arresters could create a fire hazard. Inspect periodically and replace if necessary. If your engine is equipped with a spark arrester screen assembly, remove every 50 hours for cleaning and inspection. Replace if damaged.

SPARK PLUG

Replace spark plugs at the beginning of each tilling season or after every 25 hours of use, whichever comes first. Spark plug type and gap setting are shown in "PRODUCT SPECIFICATIONS" on page 3 of this manual.

TRANSMISSION

Once a season, lubricate the right hand gear case grease fitting with 1 oz. of EP #1 grease.

CLEANING

Do not clean your tiller when the engine and transmission are hot. We do not recommend using pressurized water (garden hose, etc.) to clean your unit unless the gasket area around the transmission and the engine muffler, air filter and carburetor are covered to keep water out. Water in engine will shorten the useful life of your tiller.

- Clean engine, wheels, finish, etc. of all foreign matter.
- Keep finished surfaces and wheels free of all gasoline, oil, etc.
- Protect painted surfaces with automotive type wax.

SERVICE AND ADJUSTMENTS



CAUTION: Disconnect spark plug wire from spark plug and place wire where it cannot come into contact with plug.

TILLER

TO ADJUST HANDLE HEIGHT (See Fig. 20)

Select handle height best suited for your tilling conditions. Handle height will be different when tiller digs into soil.

- First loosen handle lock lever.
- Handle can be positioned at different settings between "HIGH" and "LOW" positions.
- Retighten handle lock lever securely after adjusting.

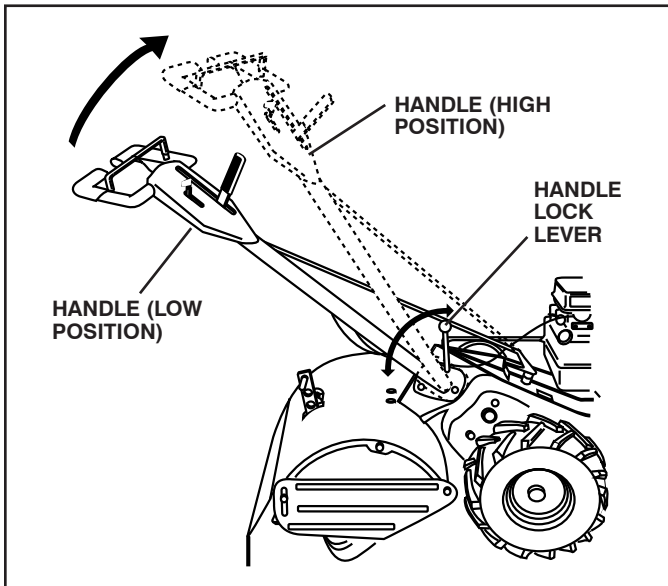


Fig. 20

TIRE CARE



CAUTION: When mounting tires, unless beads are seated, overinflation can cause an explosion.

- Maintain 20 pounds of tire pressure. If tire pressures are not equal, tiller will pull to one side.
- Keep tires free of gasoline or oil which can damage rubber.

TO REMOVE WHEEL (See Fig. 21)

- Place blocks under transmission to keep tiller from tipping.
- Remove hairpin clip and clevis pin from wheel.
- Remove wheel and tire.
- Repair tire and reassemble.

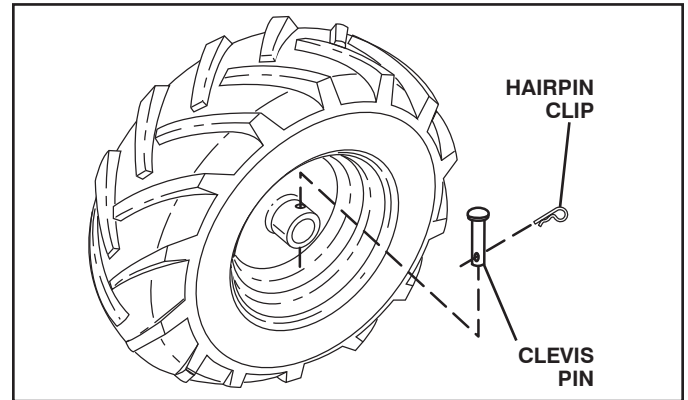


Fig. 21

TO REMOVE BELT GUARD (See Fig. 22)

NOTE: For ease of removal, remove hairpin clip and clevis pin from left wheel. Pull wheel out from tiller about 1 inch.

- Remove two (2) screws from side of belt guard.
- Remove hex nut and washer from bottom of belt guard (located behind wheel).
- Pull belt guard out and away from unit.
- Replace belt guard by reversing above procedure.

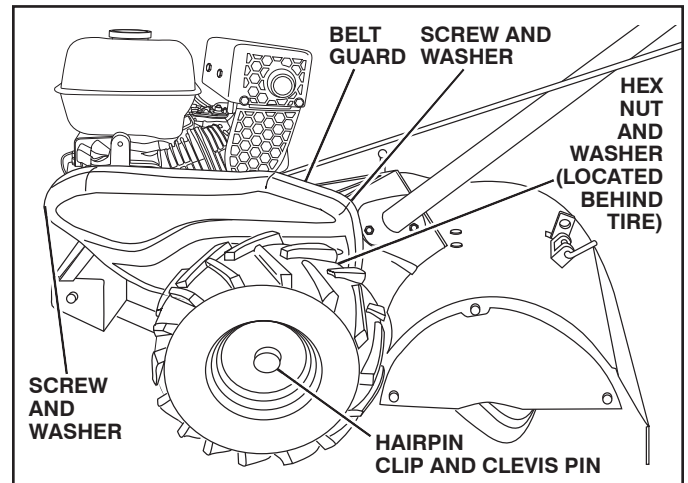


Fig. 22

SERVICE AND ADJUSTMENTS

TO REPLACE GROUND DRIVE BELT (See Figs. 22 and 23)

- Remove belt guard (See "TO REMOVE BELT GUARD" in this section of this manual).
- Remove old belt by slipping off engine pulley first then remove from transmission pulley.
- Place new belt in groove of transmission pulley and into engine pulley. BELT MUST BE IN GROOVE ON TOP OF IDLER PULLEY. NOTE POSITION OF BELT TO GUIDES.
- Check belt adjustment as described below.
- Replace belt guard.
- Reposition wheel and replace clevis pin and hairpin clip.

GROUND DRIVE BELT ADJUSTMENT (See Fig. 23)

For proper belt tension, the extension spring should have about 5/8 inch stretch when drive control bar is in "ENGAGED" position. This tension can be attained as follows:

- Loosen cable clip screw securing the drive control cable.
- Slide cable forward for less tension and rearward for more tension until about 5/8 inch stretch is obtained while the drive control bar is engaged.
- Tighten cable clip screw securely.

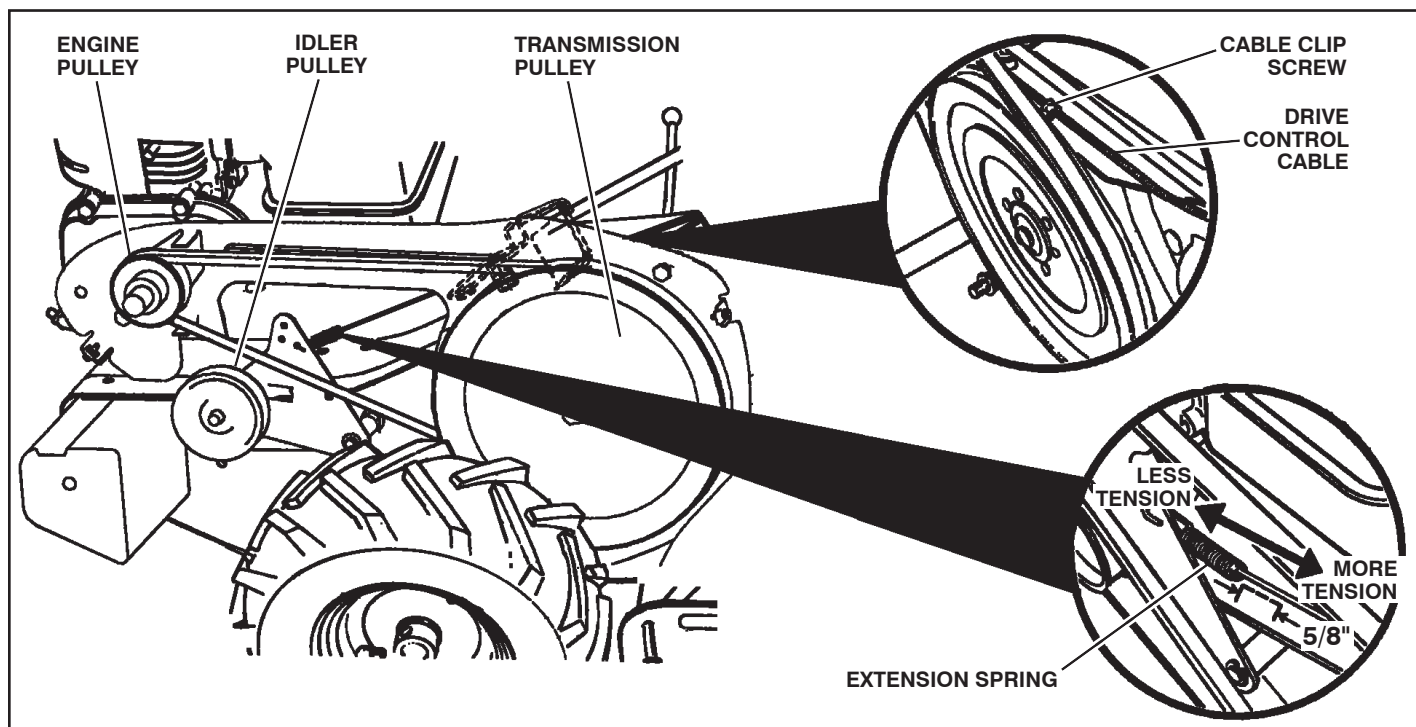


Fig. 23

TINE REPLACEMENT (See Figs. 24, 25 and 26)



CAUTION: Tines are sharp. Wear gloves or other protection when handling tines.

A badly worn tine causes your tiller to work harder and dig more shallow. Most important, worn tines cannot chop and shred organic matter as effectively nor bury it as deeply as good tines. A tine this worn needs to be replaced.

- To maintain the superb tilling performance of this machine the tines should be checked for sharpness, wear, and bending, particularly the tines which are next to the transmission. If the gap between the tines exceeds 3-1/2" they should be replaced or straightened as necessary.
- New tines should be assembled as shown in Fig. 26. Sharpened tine edges will rotate rearward from above.

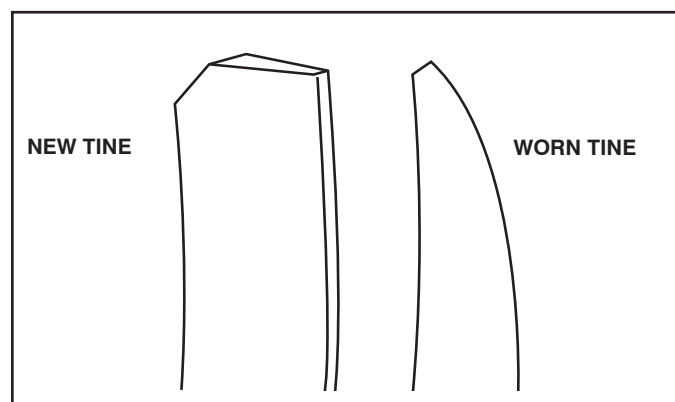


Fig. 24

SERVICE AND ADJUSTMENTS

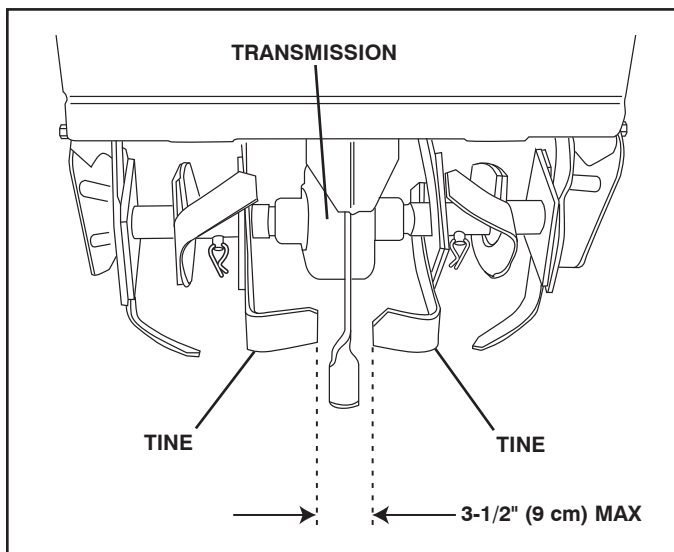


Fig. 25

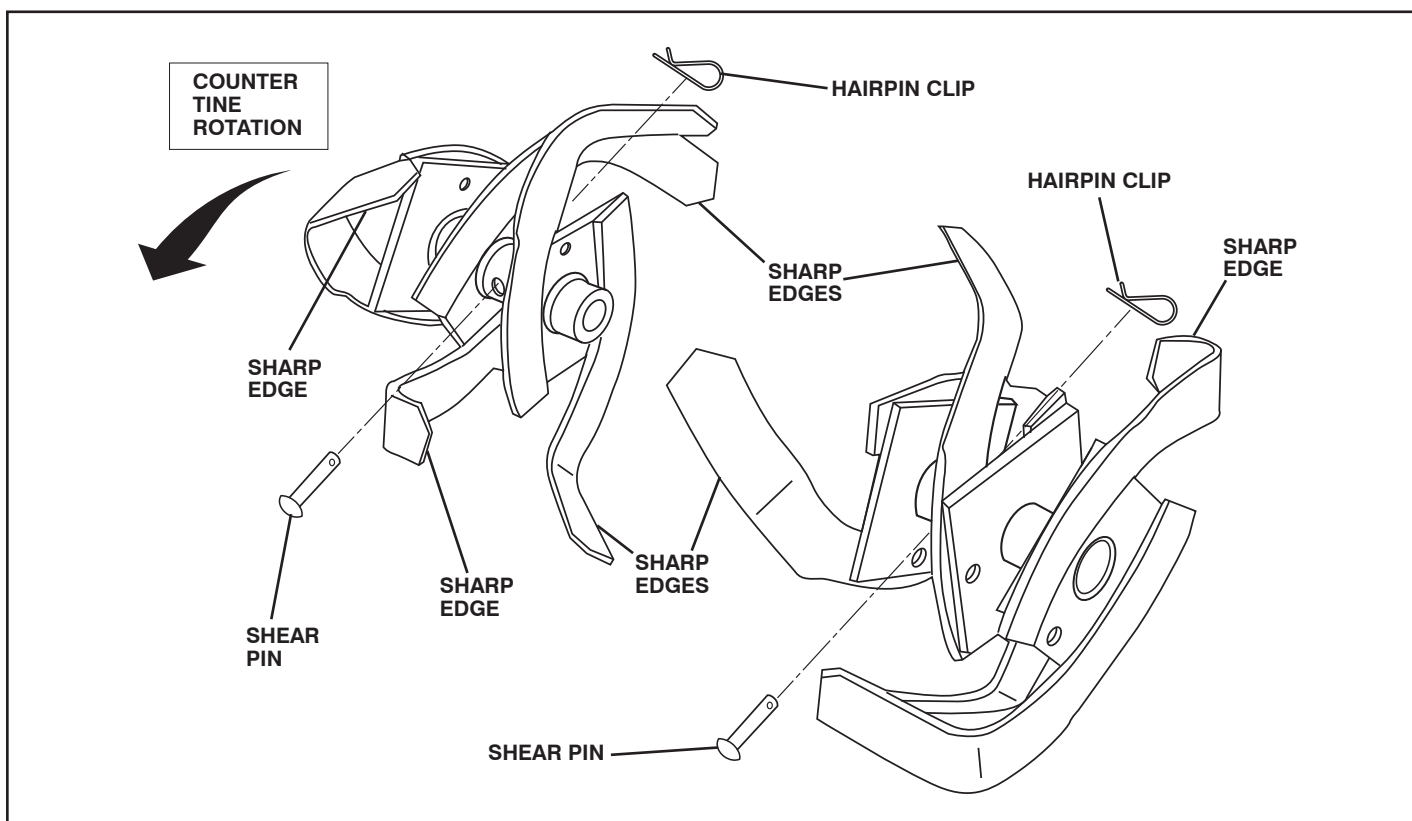


Fig. 26

ENGINE

TO ADJUST CARBURETOR

The carburetor has been preset at the factory and adjustment should not be necessary.

IMPORTANT: NEVER TAMPER WITH THE ENGINE GOVERNOR, WHICH IS FACTORY SET FOR PROPER ENGINE SPEED. OVERSPEEDING THE ENGINE ABOVE THE FACTORY HIGH SPEED SETTING CAN BE DANGEROUS. IF YOU THINK THE ENGINE-GOVERNED HIGH SPEED NEEDS ADJUSTING, CONTACT YOUR NEAREST AUTHORIZED SERVICE CENTER/DEPARTMENT, WHICH HAS THE PROPER EQUIPMENT AND EXPERIENCE TO MAKE ANY NECESSARY ADJUSTMENTS.

STORAGE

Immediately prepare your tiller for storage at the end of the season or if the unit will not be used for 30 days or more.



WARNING: Never store the tiller with gasoline in the tank inside a building where fumes may reach an open flame or spark. Allow the engine to cool before storing in any enclosure.

TILLER

- Clean entire tiller (See “CLEANING” in the Maintenance section of this manual).
- Inspect and replace belts, if necessary (See belt replacement instructions in the Service and Adjustments section of this manual).
- Lubricate as shown in the Maintenance section of this manual.
- Be sure that all nuts, bolts and screws are securely fastened. Inspect moving parts for damage, breakage and wear. Replace if necessary.
- Touch up all rusted or chipped paint surfaces; sand lightly before painting.

ENGINE

FUEL SYSTEM

IMPORTANT: IT IS IMPORTANT TO PREVENT GUM DEPOSITS FROM FORMING IN ESSENTIAL FUEL SYSTEM PARTS SUCH AS THE CARBURETOR, FUEL FILTER, FUEL HOSE, OR TANK DURING STORAGE. ALSO, EXPERIENCE INDICATES THAT ALCOHOL BLENDED FUELS (CALLED GASOHOL OR USING ETHANOL OR METHANOL) CAN ATTRACT MOISTURE WHICH LEADS TO SEPARATION AND FORMATION OF ACIDS DURING STORAGE. ACIDIC GAS CAN DAMAGE THE FUEL SYSTEM OF AN ENGINE WHILE IN STORAGE.

- Empty the fuel tank by starting the engine and let it run until the fuel lines and carburetor are empty.
- Never use engine or carburetor cleaner products in the fuel tank or permanent damage may occur.
- Use fresh fuel next season.

NOTE: Fuel stabilizer is an acceptable alternative in minimizing the formation of fuel gum deposits during storage. Add stabilizer to gasoline in fuel tank or storage container. Always follow the mix ratio found on stabilizer container. Run engine at least 10 minutes after adding stabilizer to allow the stabilizer to reach the carburetor. Do not empty the gas tank and carburetor if using fuel stabilizer.

ENGINE OIL

Drain oil (with engine warm) and replace with clean oil. (See “ENGINE” in the Maintenance section of this manual).

CYLINDER(S)

- Remove spark plug.
- Pour 1 ounce (29 ml) of oil through spark plug hole into cylinder.
- Pull starter handle slowly several times to distribute oil.
- Replace with new spark plug.

OTHER

- **Do not store gasoline from one season to another.**
- Replace your gasoline can if your can starts to rust. Rust and/or dirt in your gasoline will cause problems.
- If possible, store your unit indoors and cover it to give protection from dust and dirt.
- Cover your unit with a suitable protective cover that does not retain moisture. Do not use plastic. Plastic cannot breathe which allows condensation to form and will cause your unit to rust.

IMPORTANT: NEVER COVER TILLER WHILE ENGINE AND EXHAUST AREAS ARE STILL WARM.

TROUBLESHOOTING POINTS

| PROBLEM | CAUSE | CORRECTION |
|--|---|--|
| Will not start | <ol style="list-style-type: none"> 1. Out of fuel. 2. Fuel valve "OFF". 3. Engine Switch "OFF". 4. Engine not "CHOKED" properly. 5. Engine flooded. 6. Dirty air cleaner. 7. Water in fuel. 8. Clogged fuel tank. 9. Loose spark plug wire. 8. Bad spark plug or improper gap. | <ol style="list-style-type: none"> 1. Fill fuel tank. 2. Turn fuel valve to the "ON" position. 3. Turn engine switch to the "ON" position. 4. See "TO START ENGINE" in Operation section. 5. Wait several minutes before attempting to start. 6. Clean or replace air cleaner cartridge. 7. Empty fuel tank and carburetor, and refill tank with fresh gasoline. 8. Remove fuel tank and clean. 9. Make sure spark plug wire is seated properly on spark plug. 8. Replace spark plug or adjust gap. |
| Hard to start | <ol style="list-style-type: none"> 1. Throttle control not set properly. 2. Dirty air cleaner. 3. Bad spark plug or improper gap. 4. Stale or dirty fuel. 5. Loose spark plug wire. | <ol style="list-style-type: none"> 1. Place throttle control in "FAST" position. 2. Clean or replace air cleaner cartridge. 3. Replace spark plug or adjust gap. 4. Empty fuel tank; refill tank with fresh, clean gasoline. 5. Make sure spark plug wire is seated properly on spark plug. |
| Loss of power | <ol style="list-style-type: none"> 1. Engine is overloaded. 2. Dirty air cleaner. 3. Low oil level/dirty oil. 4. Faulty spark plug. 5. Oil in fuel. 6. Stale or dirty fuel. 7. Water in fuel. 8. Clogged fuel tank. 9. Spark plug wire loose. 10. Dirty engine air screen. 11. Dirty/clogged muffler. 12. Poor compression. | <ol style="list-style-type: none"> 1. Set depth stake for shallower tilling. 2. Clean or replace air cleaner cartridge. 3. Check oil level/change oil. 4. Clean and regap or change spark plug. 5. Empty and clean fuel tank and refill, and clean carburetor. 6. Empty fuel tank; refill fuel tank with fresh gasoline. 7. Empty fuel tank and carburetor, and refill tank with fresh gasoline. 8. Remove fuel tank and clean. 9. Connect and tighten spark plug wire. 10. Clean engine air screen. 11. Clean/replace muffler. 12. Contact an authorized service center/department. |
| Engine overheats | <ol style="list-style-type: none"> 1. Low oil level/dirty oil. 2. Dirty engine air screen. 3. Dirty engine. 4. Partially plugged muffler. | <ol style="list-style-type: none"> 1. Check oil level/change oil. 2. Clean engine air screen. 3. Clean cylinder fins, air screen, and muffler area. 4. Remove and clean muffler. |
| Excessive bounce / difficult handling | <ol style="list-style-type: none"> 1. Ground too dry and hard. | <ol style="list-style-type: none"> 1. Moisten ground or wait for more favorable soil conditions. |
| Soil balls up / clumps | <ol style="list-style-type: none"> 1. Ground too wet. | <ol style="list-style-type: none"> 1. Wait for more favorable soil conditions. |
| Engine runs but tiller won't move | <ol style="list-style-type: none"> 1. Drive control bar is not engaged. 2. V-belt not correctly adjusted. 3. V-belt is off pulley(s). | <ol style="list-style-type: none"> 1. Engage drive control. 2. Inspect/adjust V-belt. 3. Inspect V-belt. |
| Engine runs but labors when tilling | <ol style="list-style-type: none"> 1. Tilling too deep. 2. Throttle control not properly adjusted. | <ol style="list-style-type: none"> 1. Set depth stake for shallower tilling. 2. Check throttle control setting. |
| Tines will not rotate | <ol style="list-style-type: none"> 1. Shear pin(s) broken. | <ol style="list-style-type: none"> 1. Replace shear pin(s). |
| Hard to shift into gear | <ol style="list-style-type: none"> 1. Gears not timed. | <ol style="list-style-type: none"> 1. Briefly engage drive control bar and release or rock tiller forward and backward until are able to shift gears. |
| Tiller shuts off when drive control bar engaged | <ol style="list-style-type: none"> 1. Shift lever set in between counter rotating till position and forward rotating till position. 2. Tines jammed. | <ol style="list-style-type: none"> 1. Shift to either counter rotating till position or forward rotating till position. 2. Clear tines. |

GUIDE DE DÉPANNAGE

| PROBLÈME | CAUSE | CORRECTION |
|---|--|--|
| Le moteur refuse de démarrer | <ol style="list-style-type: none"> Sans essence. Robinet de carburant à la position "OFF" (arrêt). Commutateur du moteur à la position "OFF" (arrêt). Le moteur n'est pas correctement équilibré. Le moteur est noyé. Filtre à air sale. Il y a de l'eau dans l'essence. Réservoir d'essence bouché. Fil de bougie d'allumage est débranché. Mauvaise bougie d'allumage ou écart incorrect. | <ol style="list-style-type: none"> Remplissez le réservoir d'essence. Placez le robinet de carburant à la position "ON" (marche). Placez le commutateur du moteur à la position "ON" (marche). Référez-vous à la section "DÉMARRER LE MOTEUR" dans la section d'utilisation. Attendez plusieurs minutes avant de démarrer. Nettoyez/remplacez la cartouche de filtre à air. Vidangez l'essence du réservoir et du carburateur, et remplissez le réservoir avec l'essence fraîche. Enlevez le réservoir d'essence et nettoyez-le. Branchez le fil de bougie d'allumage. Remplacez la bougie d'allumage, ou réglez l'écart. Remplacez la bougie d'allumage, ou réglez l'écart. |
| Démarrage difficile | <ol style="list-style-type: none"> La commande des gaz n'est pas réglée correctement. Filtre à air sale. Mauvaise bougie d'allumage ou écart incorrect. Essence sale ou vieille. Fil de bougie d'allumage débranché. | <ol style="list-style-type: none"> Posez la commande des gaz à la position "FAST" (rapide). Nettoyez/remplacez la cartouche de filtre à air. Remplacez la bougie d'allumage, ou réglez l'écart. Vidangez l'essence du réservoir et remplissez avec l'essence fraîche. Branchez le fil de bougie d'allumage. |
| Le moteur manque de puissance | <ol style="list-style-type: none"> Moteur surchargé. Filtre à air sale. Niveau d'huile bas ou huile sale. Bougie d'allumage défectueuse. Présence d'huile dans l'essence. Essence sale ou vieille. Il y a de l'eau dans l'essence. Réservoir d'essence bouché. Fil de bougie d'allumage est débranché. Tamis d'air encrassé. Silencieux est bouché/sale. Mauvaise compression. | <ol style="list-style-type: none"> Réglez la jauge de profondeur et les roues pour l'abourage moins profond. Nettoyez/remplacez la cartouche de filtre à air. Vérifiez le niveau d'huile ou remplacez-la. Nettoyez, ajustez l'écart ou remplacez la bougie d'allumage. Vidangez, nettoyez et remplissez le réservoir d'essence et nettoyez le carburateur. Vidangez l'essence du réservoir et remplissez avec l'essence fraîche. Vidangez l'essence du réservoir et du carburateur, et remplissez le réservoir avec l'essence fraîche. Enlevez le réservoir d'essence et nettoyez-le. Branchez et serrez le fil de bougie d'allumage. Nettoyez le tamis d'air de moteur. Nettoyez/remplacez le silencieux. Contactez un centre d'entretien autorisé. |
| Moteur surchauffe | <ol style="list-style-type: none"> Niveau d'huile bas ou huile sale. Tamis d'air encrassé. Moteur encrassé. Silencieux bouché partiellement. | <ol style="list-style-type: none"> Vérifiez le niveau d'huile ou remplacez-la. Nettoyez le tamis d'air. Nettoyez les ailettes de cylindre, le tamis d'air, et autour du silencieux. Enlevez et nettoyez le silencieux. |
| Rebondissements excessifs et un manèment difficile | <ol style="list-style-type: none"> Le sol est trop sec et dur. | <ol style="list-style-type: none"> Mouillez légèrement le sol ou attendez des conditions de sol plus favorables. |
| Terre se groupe en mottes | <ol style="list-style-type: none"> La terre est trop mouillée. | <ol style="list-style-type: none"> Attendez des conditions de sol plus favorables. |
| Moteur marche mais la motobineuse ne bouge pas | <ol style="list-style-type: none"> Courroie trapézoïdale n'est pas dans les poulies. Mauvais réglage de la courroie trapézoïdale. La barre de commande n'est pas engagée. | <ol style="list-style-type: none"> Vérifiez la courroie trapézoïdale. Vérifiez/réglez la courroie trapézoïdale. Engagez la barre de commande. |
| Moteur marche mais peine lors du labourage | <ol style="list-style-type: none"> Labourage trop profond. Mauvais réglage de la commande des gaz. | <ol style="list-style-type: none"> Réglez la jauge de profondeur pour labourage moins profond. Vérifiez le réglage de la commande des gaz. |
| Les fraises ne tourneront pas | <ol style="list-style-type: none"> Boulon(s) de cisaillement cassé(s). | <ol style="list-style-type: none"> Remplacez le(s) boulon(s) de cisaillement. |
| C'est difficile de changer de vitesse | <ol style="list-style-type: none"> Embrayages pas synchronisés. | <ol style="list-style-type: none"> Engagez brièvement la barre de commande d'entraînement et relâchez ou basculez la motobineuse en avant et en arrière jusqu'à ce qu'il soit possible de changer de vitesse. |
| La motobineuse s'arrête quand la barre de commande de traction est engagée | <ol style="list-style-type: none"> Le levier de la commande d'embrayage est placé entre les positions de labourage avant et arrière. Les fraises sont calées. | <ol style="list-style-type: none"> Passer en labourage avant ou arrière. Dégager les fraises. |

ENTREPOSAGE

Préparez immédiatement votre motobineuse pour l'entreposage à la fin de la saison ou si l'unité ne sera pas utilisée pendant 30 jours ou plus.



ATTENTION: N'entreposez jamais la motobineuse lorsque le réservoir contient d'essence dans un bâtiment où les vapeurs pourraient parvenir à une flamme nue ou une étincelle. Laissez le moteur refroidir avant d'entreposer dans un lieu clos.

MOTOBINEUSE

- Nettoyez complètement la motobineuse (réfêrez-vous à la section "NETTOYAGE" dans la section Entretien de ce manuel).
- Inspectez, et si nécessaire, remplacez les courroies (Réfêrez-vous aux instructions de remplacement de courroie dans la section Révision et Régulages de ce manuel).
- Lubrifiez comme illustré dans la section Entretien de ce manuel.
- Assurez-vous que tous les écrous, les boulons et les vis soient bien serrés. Vérifiez si les pièces mobiles sont avariées, brisées et usées. Remplacez-les si nécessaire.
- Retouchez toutes les surfaces peintes rouillées ou éraflées; sablez légèrement avant de peindre.

MOTEUR

SYSTÈME D'ALIMENTATION

IMPORTANT: C'EST TRÈS IMPORTANT D'ÉVITER LA FORMATION DE DÉPÔTS DE GOMME DANS LE CARBURATEUR, LE FILTRE D'ESSENCE, LE TUYAU D'ESSENCE OU LE RÉSERVOIR D'ESSENCE PENDANT L'ENTREPOSAGE. L'EXPÉRIENCE DEMONTRÉ QUE LES CARBURANTS MÉLANGÉS AVEC DE L'ALCOOL (APPELÉS GASOHOL, OU UTILISANT DE L'ETHANOL OU DU METHANOL) PEUVENT ATTIRER L'HUMIDITÉ QUI CAUSE LA SÉPARATION ET LA FORMATION D'ACIDES PENDANT L'ENTREPOSAGE. LE GAZ ACIDE PEUT AVARIER LE SYSTÈME D'ALIMENTATION DU MOTEUR PENDANT L'ENTREPOSAGE.

- Vidangez le réservoir d'essence.
 - Démarez le moteur et laissez-le tourner jusqu'à ce que les conduites d'essence et le carburateur soient vides.
 - N'utilisez jamais les produits spéciaux pour nettoyer le moteur et le carburateur dans le réservoir d'essence. L'emploi de ces produits pourrait causer des dégâts permanents.
 - Utilisez de l'essence fraîche à l'année suivante.
- REMARQUE:** Un agent stabilisant dans l'essence est une option acceptable pour minimiser la formation de dépôts de gomme de carburant pendant l'entreposage. Ajoutez l'agent à l'essence dans le réservoir d'essence ou dans le bidon de carburant. Suivez toujours le dosage de mélange inscrit sur le bidon de l'agent. Laissez tourner le moteur pendant au moins 10 minutes après avoir ajouté l'agent pour lui permettre d'atteindre le carburateur. Ne vidangez pas le réservoir d'essence et le carburateur si l'agent d'essence est utilisé.

HUILE DE MOTEUR

Vidangez l'huile (quand le moteur est chaud) et remplacez avec l'huile de moteur fraîche. (Réfêrez-vous à "MOTEUR" dans la section Entretien de ce manuel.)

CYLINDRE(S)

- Enlevez la bougie d'allumage.
- Versez une once 28 ml (1 once) d'huile par l'orifice de la bougie d'allumage dans le cylindre.
- Tirez lentement la poignée de démarrage plusieurs fois pour distribuer l'huile.
- Remplacez par une nouvelle bougie d'allumage.

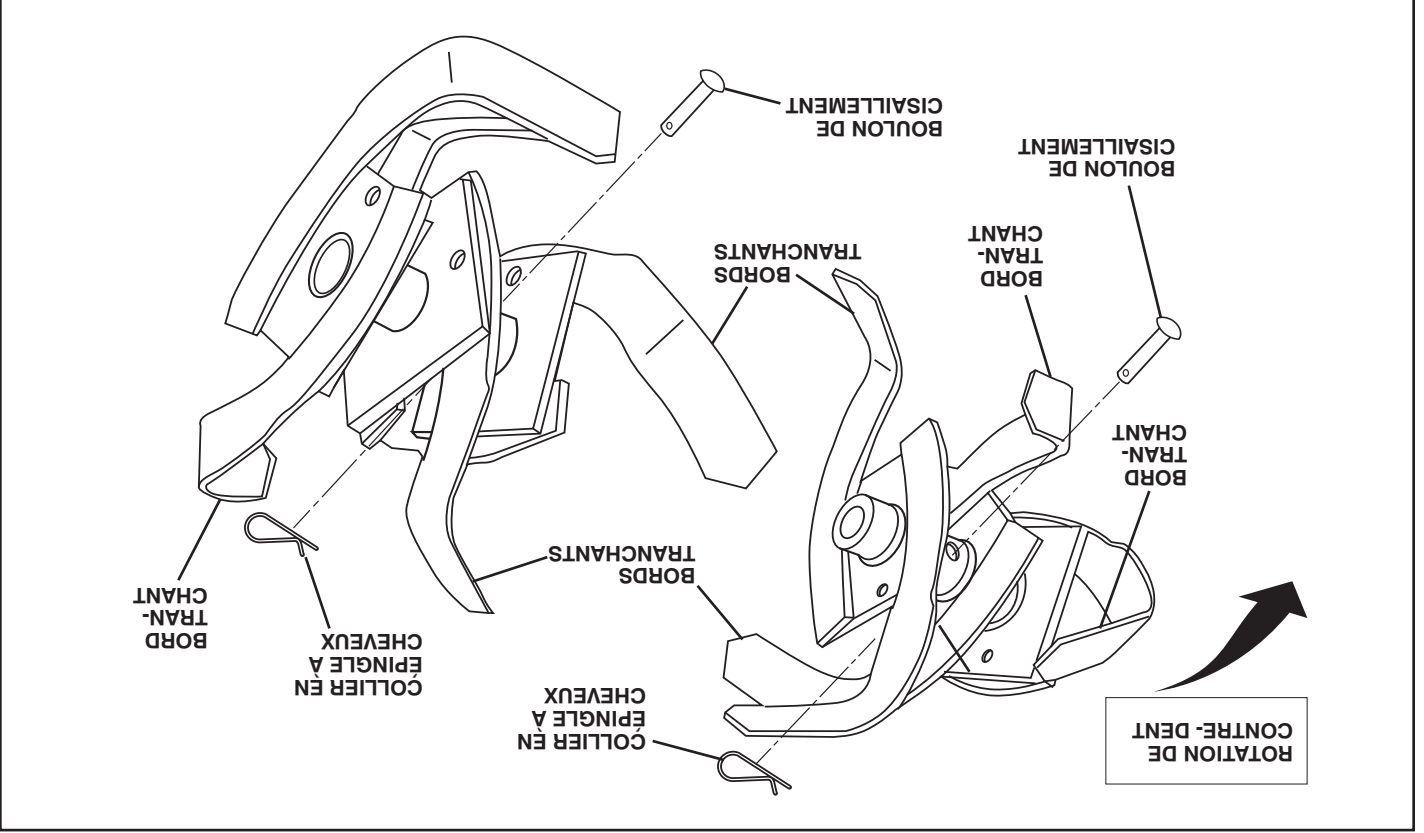
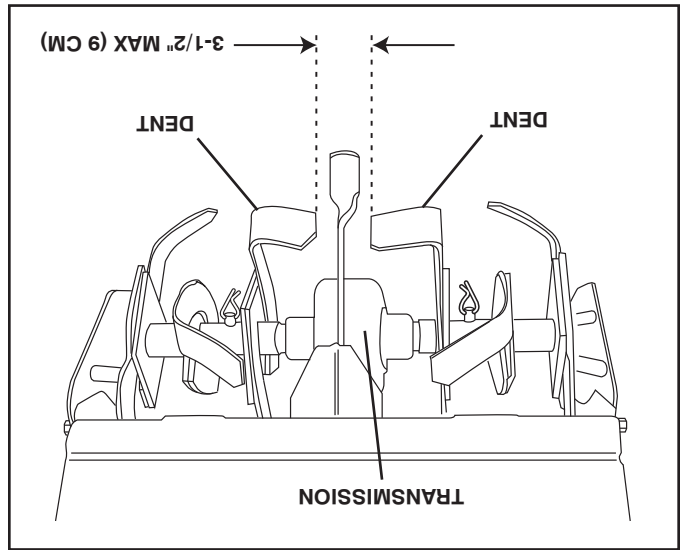
INFORMATION SUPPLÉMENTAIRE

- **Ne conservez pas d'essence d'une saison à l'autre.**

- Remplacez le bidon d'essence s'il commence à rouiller. La présence de rouille et/ou de saleté dans l'essence causera des problèmes.
- Entrezposez la motobineuse à l'intérieur, si possible, et couvrez-la pour la protéger de la poussière et de la saleté.
- Couvrez la motobineuse avec une couverture imperméable. N'utilisez pas une couverture en plastique. Le plastique obstrue la circulation d'air et permet la formation de condensation qui fera à rouiller l'unité.

IMPORTANT: NE COUVREZ JAMAIS LA MOTOBINEUSE QUAND LE MOTEUR ET LE CIRCUIT D'ÉCHAPPEMENT SONT ENCORE CHAUDS.

RÉVISION ET RÉGLAGES



MOTEUR

POUR RÉGLER LE CARBURATEUR

Le carburateur a été réglé à l'usine et ne devrait pas être modifié.

IMPORTANT: NE TOUCHEZ PAS LE RÉGULATEUR DE MOTEUR. LE CONSTRUCTEUR DE L'ÉQUIPEMENT QUI A MONTÉ LE MOTEUR DÉTERMINE LA VITESSE MAXIMUM HORS CHARGE À LAQUELLE LE MOTEUR DOIT ÊTRE UTILISÉ. NE DÉPASSEZ JAMAIS CETTE VITESSE. CETTE ACTION PEUT ÊTRE DANGÉREUSE. SI VOUS PENSEZ QU'UN RÉGLAGE DE LA VITESSE MAXIMUM EST NECESSAIRE, ADRESSEZ-VOUS À L'AGENT AGRÉÉ LE PLUS PROCHE DE VOTRE DOMICILE. QUI A LES TECHNICIENS QUALIFIÉS ET LES OUTILS APPROPRIÉS POUR DES RÉPARATIONS NECESSAIRES.

RÉVISION ET RÉGLAGES

POUR REMPLACER LA COURROIE D'ENTRAÎNEMENT À TERRE (Voir les Fig. 22 et 23)

- Enlevez le protecteur de courroie (Voir "ENLEVER LE PROTECTEUR DE COURROIE").
- Enlevez la vieille courroie en la glissant de la poulie du moteur et de la poulie de transmission.
- Posez la nouvelle courroie dans la rainure de la poulie de transmission et dans la poulie du moteur. LA COURROIE DOIT ÊTRE DANS LA RAINURE AU SOMMET DE LA POULIE GALET-TENDEUR. NOTEZ LA POSITION DE LA COURROIE PAR RAPPORT AUX GUIDES.
- Vérifiez le réglage de la courroie comme décrit ci-dessous.
- Remplacez le protecteur de courroie.
- Remplacez la roue ainsi que l'axe de chape et le collier en épingle à cheveux.

RÉGLER LA COURROIE D'ENTRAÎNEMENT À TERRE (Voir la Fig. 23)

- Pour la tension de courroie correcte, le ressort de traction devrait avoir approximativement un allongement de 5/8 po. (16 mm) lorsque la barre de commande d'entraînement est à la position engagée "ENGAGED". Cette tension peut être obtenue comme suit:
- Desserrez la vis de collier de serrage de câble qui fixe le câble de commande d'entraînement.
- Glissez en avant le câble pour moins de tension et en arrière pour plus de tension jusqu'à l'obtention d'un allongement d'environ 5/8 po. (16 mm) pendant que la barre de commande d'entraînement est engagée.
- Resserrez bien la vis de collier de serrage du câble.

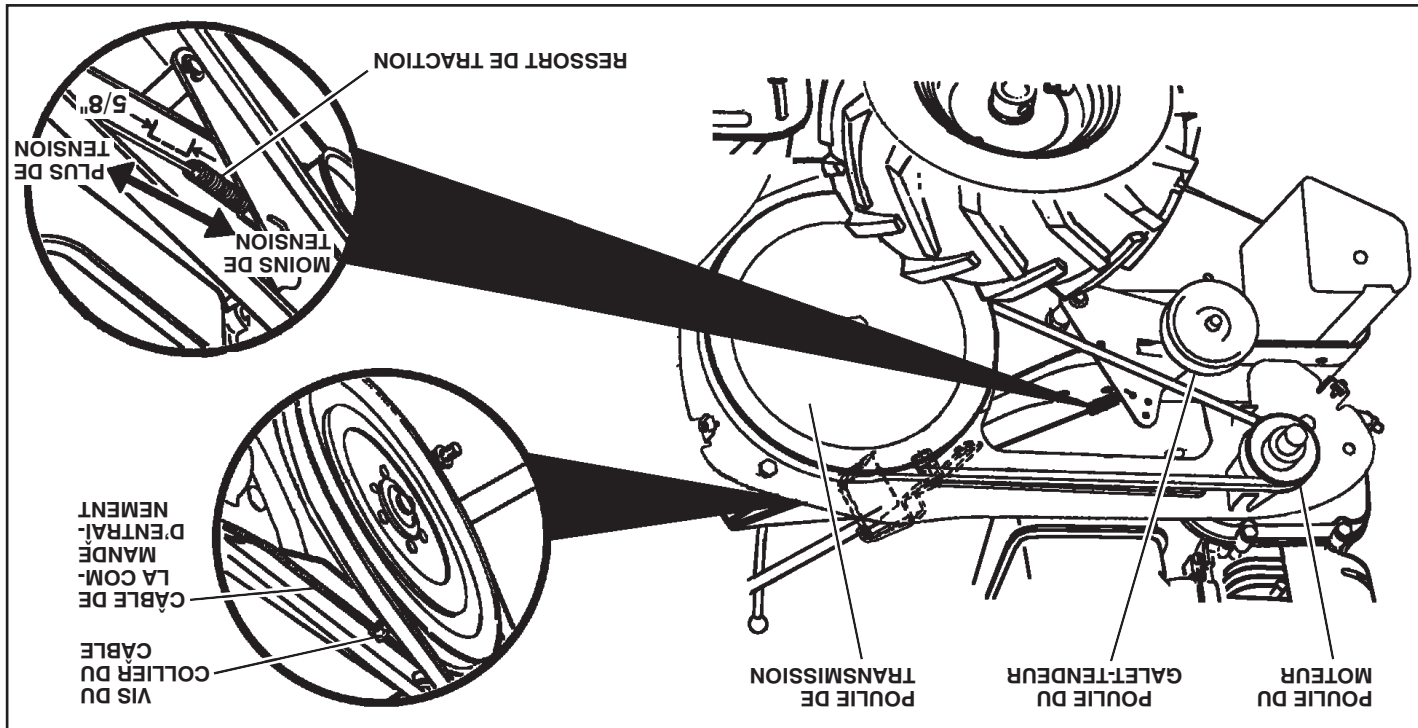


Fig. 23

REMPACEMENT DES FRAISES (Voir les figs. 24, 25, et 26)

Une fraise très usée fera travailler votre motobineuse encore plus et creuser à moins de profondeur. Plus important, des fraises usées ne peuvent ni couper en morceaux ni déchiqueter les matières organiques aussi efficacement ni les enterrer aussi profondément que les fraises en bon état. Une fraise usée aussi montée ci-dessous doit être remplacée.

• Pour conserver cette machine en bon fonctionnement, il convient d'inspecter les fraises du point de vue de l'acuité, de l'usure et du gauchissement, en particulier les fraises qui se trouvent à côté de la transmission. Si l'écart entre les fraises dépasse 3-1/2 pouces (9 cm), il convient de les remplacer ou de les redresser, suivant le cas.

ATTENTION: Les fraises sont tranchantes. Portez des gants ou d'autres protections quand vous touchez aux fraises.

• Les nouvelles fraises devraient être montées comme illustré dans la figure 26. Les bords de fraise aiguisés tourneront en arrière à partir d'en haut.

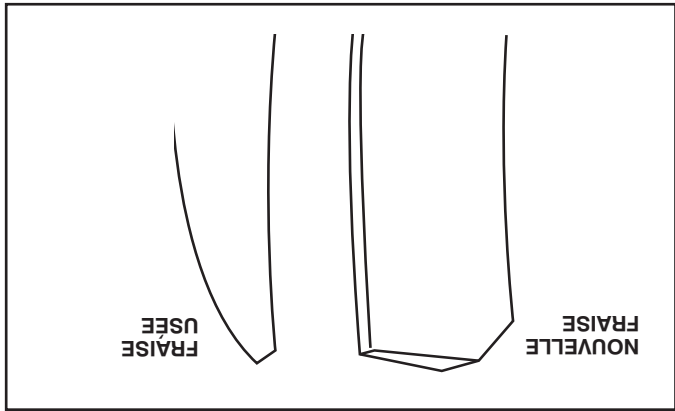


Fig. 24

RÉVISION ET RÉGLAGES

POUR ENLEVER LA ROUE (Voir la Fig. 21)

- Mettez des blocs sous la transmission pour éviter le basculement de la motobineuse.
- Enlevez le collier en épingle à cheveux et l'axe de chape de la roue.
- Enlevez la roue et le pneu.
- Réparez le pneu et remontez.

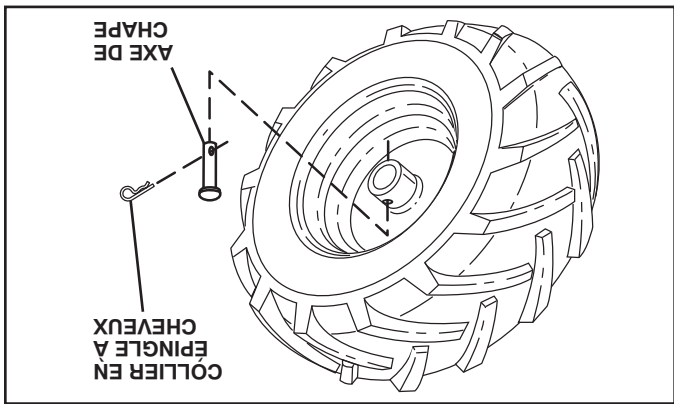


Fig. 21

POUR ENLEVER LE PROTECTEUR DE COUR-

ROIE (Voir la Fig. 22)

- REMARQUE:** Pour faciliter l'enlèvement, enlevez le collier en épingle à cheveux et l'axe de chape de la roue gauche. Tirez la roue de la motobineuse jusqu'à ce que la distance soit 1 po. (2,5 cm).
- Enlevez deux (2) vis du côté du protecteur de courroie.
 - Enlevez l'écrou hexagonal et la rondelle du fond du protecteur de courroie (situé derrière le pneu).
 - Tirez le protecteur de courroie loin de la motobineuse.
 - Replacez le protecteur de courroie en rinversant le procédé ci-dessus.

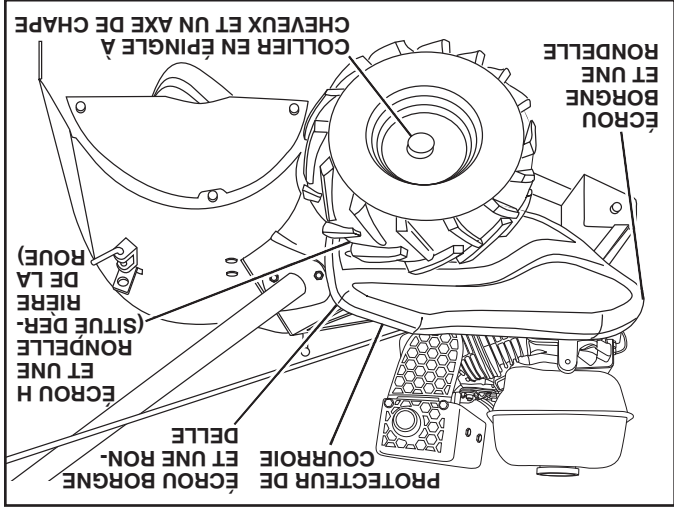


Fig. 22

MOTOBINEUSE

POUR RÉGLER LA HAUTEUR DU GUIDON

(Voir la Fig. 20)

- Choisissez la hauteur la plus convenable pour vous et les conditions de labourage. La hauteur changera pendant le labourage.
- Relâchez premièrement le levier de verrou de guidon.
 - Le guidon peut être posé à différentes positions entre "HAUTE" (HIGH) et "BASSE" (LOW).
 - Serrez à fond encore le levier de verrou après le réglage.

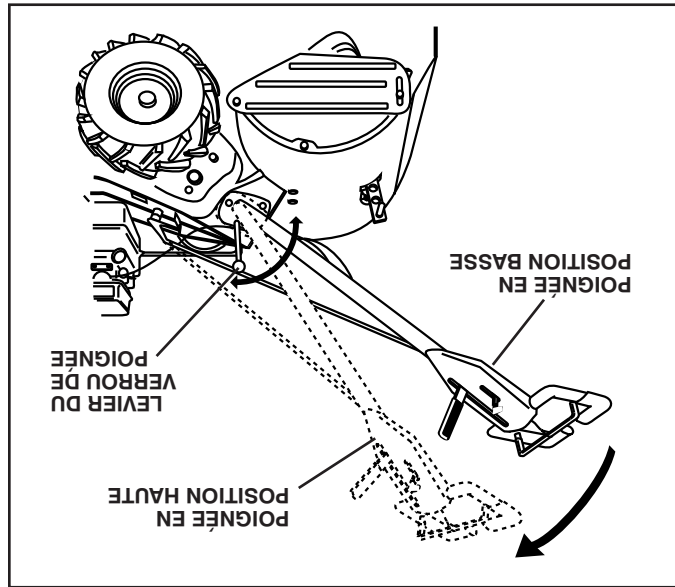


Fig. 20

SOIN DES PNEUS

ATTENTION: Lors du montage des pneus, à moins que les bourrelets soient correctement posés, le gonflage excessif peut provoquer une explosion.

- Maintenez dans les pneus une pression de 20 PSI (1,4 kg/cm²). Si la pression de pneu n'est pas uniforme, la motobineuse tirera d'une côté.
- Maintenez les pneus libres d'essence ou d'huile qui peuvent endommager le caoutchouc.

ATTENTION: Débranchez le fil de bougie d'allumage et posez-le à un endroit où il ne peut pas toucher la bougie.

SILENCIEUX

N'utilisez pas la motobineuse sans silencieux. Ne modifiez pas le système d'échappement. Un silencieux ou un pare-étincelles avarié pose des risques d'incendie. Inspectez-les périodiquement et remplacez-les si nécessaire. Si votre moteur est muni d'un grillage de pare-étincelles, enlevez-le toutes les 50 heures pour le nettoyer et l'inspecter. Remplacez-le s'il est avarié.

BOUGIE D'ALLUMAGE

La bougie d'allumage devrait être changée toutes les 25 heures d'utilisation ou au commencement de la saison de labourage. Le type de la bougie d'allumage et le réglage de l'écart se trouvent dans la section de "SPECIFICATIONS DU PRODUIT".

TRANSMISSION

Une fois par saison, lubrifiez le raccord de graisse du côté droit de la boîte de vitesse avec 1 once de graisse de EP #1.

NETTOYAGE

Ne pas nettoyer la motobineuse si le moteur et la transmission sont encore chauds. Il serait mieux de ne pas utiliser de l'eau pressurisée (tuyau d'arrosage, etc.) afin de nettoyer la machine sauf si la garniture près de la transmission, le silencieux du moteur, le filtre à air et le carburateur sont protégés contre toute pénétration possible d'eau. L'entrée d'eau au niveau du moteur réduit la durée de votre motobineuse.

- Nettoyez le moteur, les roues, la finition, etc. de toutes les matières étrangères.
- Conservez la propreté des roues et des surfaces peintes en enlevant, l'essence, l'huile, etc.
- Protégez les surfaces peintes avec une cire d'auto.

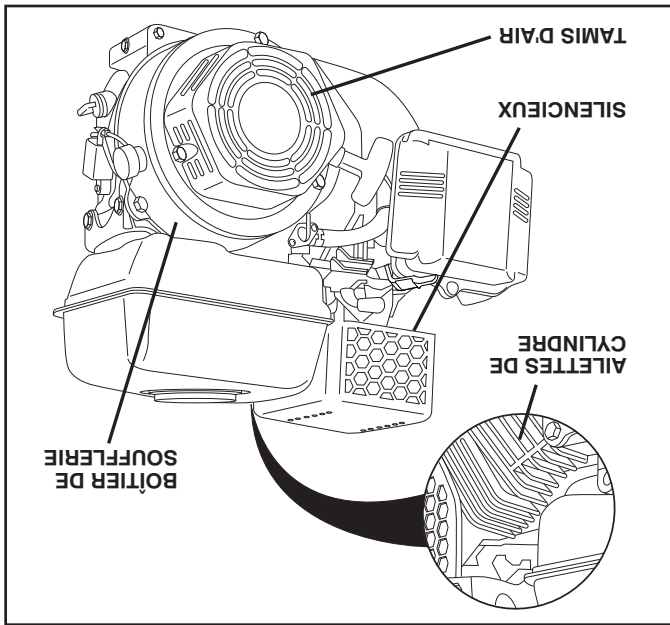



Fig. 19


 Débranchez le fil de bougie d'allumage avant d'effectuer tout entretien pour éviter un démarrage accidentel du moteur.

Évitez les incendies! Maintenez le moteur exempt d'herbe, de feuilles et d'huile ou de carburant répandu. Vidangez le carburant du réservoir avant de pencher la motobineuse pour l'entretien. Nettoyez la surface du silencieux de toute accumulation d'herbe, de saleté et de débris.

Ne touchez pas à un silencieux chaud ou à des ailettes chaudes de cylindre puisque le contact peut causer des brûlures.

MOTEUR

LUBRIFICATION

Utilisez seulement l'huile détentée de qualité supérieure cotée SJ-SN par le service API. Choisissez le degré de viscosité SAE de l'huile selon la température prévue.

| GRADE DE VISCOSITÉ SAE | |
|---|--------|
| 5W-30 | 10W-30 |
| 30 | |
| -30 | -20 |
| -20 | 0 |
| -10 | 10 |
| 0 | 20 |
| 10 | 30 |
| 20 | 40 |
| 30 | 60 |
| 40 | 80 |
| 100° F | 100° C |
| TABLEAU DES TEMPÉRATURES AUXQUELLES IL FAUT CHANGER D'HUILE | |

FIG. 16

REMARQUE: Bien que les huiles de multi-viscosité (5W30, 10W30 etc.) améliorent le démarrage par temps froid, leur consommation augmente à plus de 0°C. Vérifiez le niveau d'huile plus fréquemment pour éviter l'avarie du moteur lors de l'utilisation avec un niveau d'huile bas.

Changez l'huile tous les 25 heures d'opération ou au moins une fois par an si la motobineuse est utilisée moins de 25 heures par an. Vérifiez le niveau d'huile du carter avant de démarrer le moteur et ensuite toutes les cinq (5) heures en cas d'utilisation continue. Ajoutez l'huile moteur SAE 30 ou une huile correspondante. Serrez le bouchon d'huile à chaque fois que vous vérifiez le niveau d'huile.

POUR REMPLACER D'HUILE MOTEUR

(Voir les figs. 16 et 17)
 Vérifiez la gamme de température prévue avant le prochain remplacement de l'huile. Toutes les huiles doivent rencontrer la classification de service API SF-SJ.

Assurez-vous que la motobineuse soit stationnée sur un terrain plat.

L'huile se vidangera plus facilement si elle est chaude. Utilisez un entonnoir pour éviter l'écoulement d'huile sur la motobineuse, et recueillez l'huile dans un récipient approprié.

Enlevez le bouchon de vidange. Penchez en avant la motobineuse pour vidanger l'huile.

Lorsque la vidange est a complète, remettez le bouchon de vidange d'huile et serrez à fond.

Enlevez le bouchon de remplissage d'huile. Ne laissez pas de saletés entrer dans le moteur.

Rempissez le moteur avec l'huile. Voir la section "VÉRIFIEZ LE NIVEAU D'HUILE" dans la section utilisation de ce manuel.

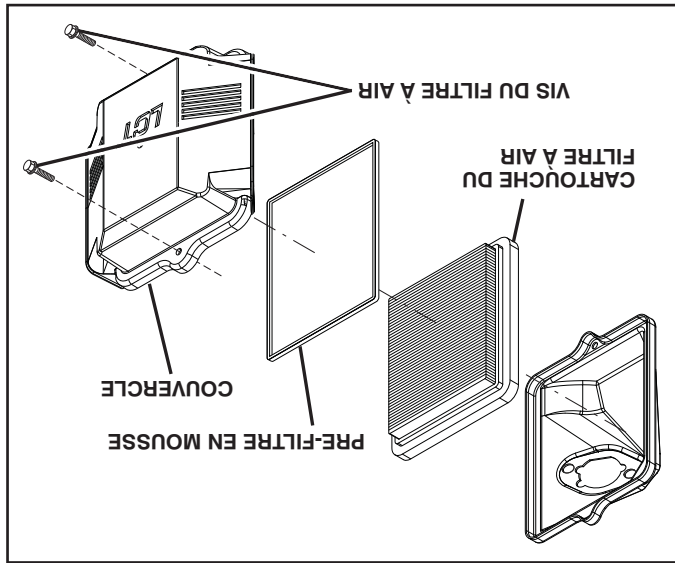
SYSTÈME DE REFROIDISSEMENT

(Voir la fig. 19)

Votre moteur est refroidi à l'air. Pour un bon fonctionnement du moteur et pour une longue durabilité, maintenez le moteur propre. Nettoyez fréquemment le tamis d'air à l'aide d'une brosse à poils raides.

Enlevez le boîtier de soufflerie et nettoyez-le si nécessaire. Conservez les ailettes de cylindre exemptes de saleté et de la balle.

Fig. 18



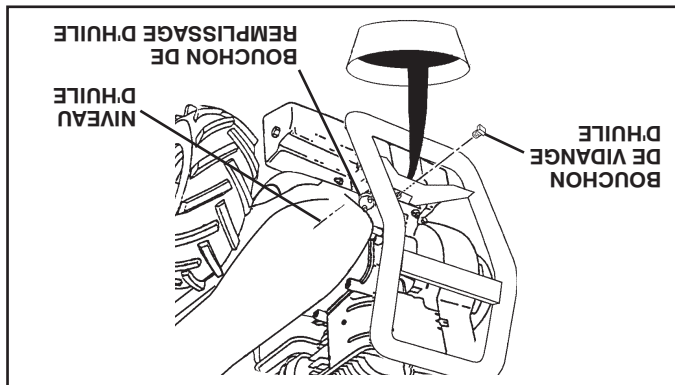
ATTENTION: LES SOLVANTS DE PÉTROLE, TELS QUE LE KÉROSENE, NE DOIVENT PAS ÊTRE UTILISÉS POUR NETTOYER LA CARTOUCHE. ILS RISQUENT DE PROVOQUER UNE DÉTERIORATION DE CELLE-CI, NE METTEZ PAS D'AIR COMPRIMÉ POUR NETTOYER OU SÉCHER LA CARTOUCHE.

Desserrez les vis de filtre à air, une vis se trouve sur chaque côté du couvercle. Enlevez le couvercle de filtre à air. Faites soigneusement la cartouche de filtre à air. Enlevez le carburateur. Nettoyez en la frappant légèrement sur une surface plate. Si elle est très sale ou avariée, remplacez la cartouche. Nettoyez et remettez le couvercle. Serrez à fond les vis.

Inspectez la cartouche du filtre à air toutes les 25 heures, plus souvent si les conditions sont poussiéreuses.

FILTRE À AIR (Voir la fig. 18)

Fig. 17



ENTRETIEN

| CALENDRIER D'ENTRETIEN | | DATES D'ENTRETIEN | | | | | | | | | | | |
|--|--|--------------------|--|--|--|--|--|--|--|--|--|--|--|
| INSCRIVEZ LES DATES AU FUR ET À MESURE QUE VOUS EFFECTUEZ LES ENTRETIENS RÉGULIERS | | AVANT CHAQUE USAGE | | | | | | | | | | | |
| ✓ | | ✓ | | | | | | | | | | | |
| Vérifiez le niveau d'huile de moteur | | ✓ | | | | | | | | | | | |
| Changez l'huile de moteur | | ✓ ^{1,2} | | | | | | | | | | | |
| Huilez les points de pivotement | | ✓ | | | | | | | | | | | |
| Inspectez le silencieux pare-étincelles | | ✓ | | | | | | | | | | | |
| Inspectez le tamis à air | | ✓ | | | | | | | | | | | |
| Nettoyez/remplacez la cartouche du filtre à air | | ✓ ² | | | | | | | | | | | |
| Nettoyez les ailettes de cylindre du moteur | | ✓ | | | | | | | | | | | |
| Remplacez la bougie d'allumage | | ✓ | | | | | | | | | | | |
| Raccord de graisse du côté droit de la boîte de vitesse (1 once) | | ✓ | | | | | | | | | | | |

1 - Changez plus souvent quand la motobineuse fonctionne sous une charge lourde ou à température ambiante élevée.
 2 - Faites entretenir plus souvent dans des conditions poussiéreuses ou sales.

RECOMMANDATIONS GÉNÉRALES

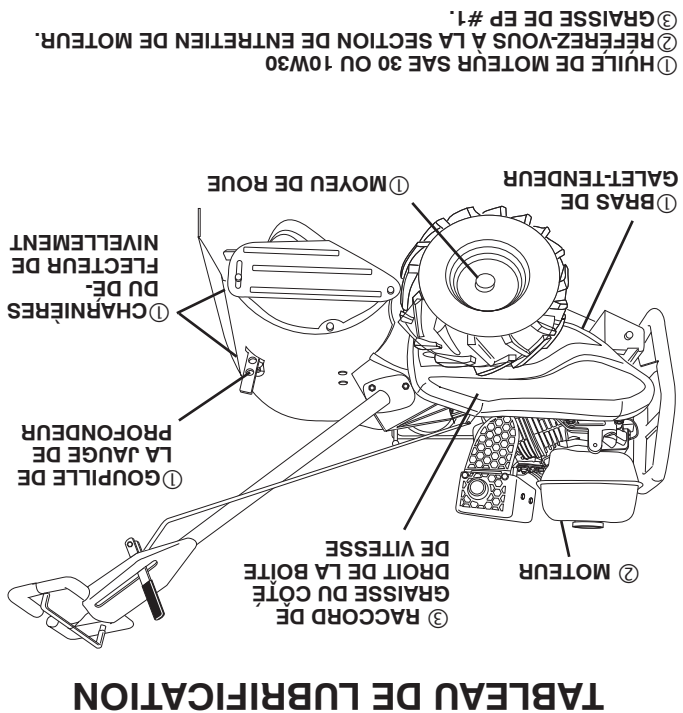
La garantie pour cette motobineuse ne couvre pas les éléments qui ont été sujets à un abus soit à de la négligence de la part de l'opérateur. Pour conserver une garantie complète, l'utilisateur doit maintenir la motobineuse tel que précisé dans ce manuel. Quelques ajustements sont nécessaires périodiquement pour maintenir correctement votre motobineuse. Tous les réglages dans la section de Révision et Réglages de ce manuel devraient être vérifiés au moins une fois par saison. Une fois par an, remplacez la bougie d'allumage, nettoyez ou remplacez le filtre à air, et vérifiez les fraises et les courroies pour les signes d'usure. Une nouvelle bougie d'allumage et un nouveau filtre à air propre assurent un mélange air/essence correct et ainsi permettent à votre moteur de mieux fonctionner et de durer plus longtemps.

AVANT CHAQUE UTILISATION

- Vérifiez le niveau d'huile de moteur.
- Vérifiez le fonctionnement des fraises.
- Vérifiez la solidité des systèmes de fixation.

LUBRIFICATION


Assurez que votre motobineuse est bien lubrifiée. Reportez au "TABLEAU DE LUBRIFICATION".



TABEAU DE LUBRIFICATION

- ① HUILE DE MOTEUR SAE 30 OU 10W30
- ② RÉFÉREZ-VOUS À LA SECTION DE ENTRETIEN DE MOTEUR.
- ③ GRAISSE DE EP #1.

ATTENTION: Utilisez la motobineuse avec la commande des gaz à la position lente "SLOW" (à mi-chemin entre les positions rapide "FAST" et ralentit "IDLE") jusqu'à ce que vous soyez habituée à elle.



- Le labourage est le creusage en retournant et en ameublissant le sol ducel avant de semer. Le sol défilé aide à la croissance des racines. La meilleure profondeur de labourage est de 4 à 6 pouces (10-15 cm). Une motobineuse aide aussi à enlever les mauvaises herbes. La décomposition de ces mauvaises herbes enrichit le sol. Dependamment du climat (la pluie et le vent) il peut être préférable de labourer le sol à la fin d'une saison de récolte pour mieux conditionner le sol.
- Les conditions du sol sont importantes pour un bon labourage. Les dents ne pénétreront pas facilement un sol sec et dur qui peut contribuer à des rebondissements exagérés et un maniement difficile de votre motobineuse. Un sol dur doit être humidifié avant le labourage; par conséquent, un sol extrêmement mouillé formera des boules ou des molettes durant le labourage. Attendez jusqu'à ce que le sol soit moins mouillé afin d'obtenir les meilleurs résultats. Quand le labourage se fait à l'automne, enlevez les vignes et les longues herbes pour empêcher celles-ci de s'enrouler autour de l'arbre des dents et ralentir l'opération de labourage.

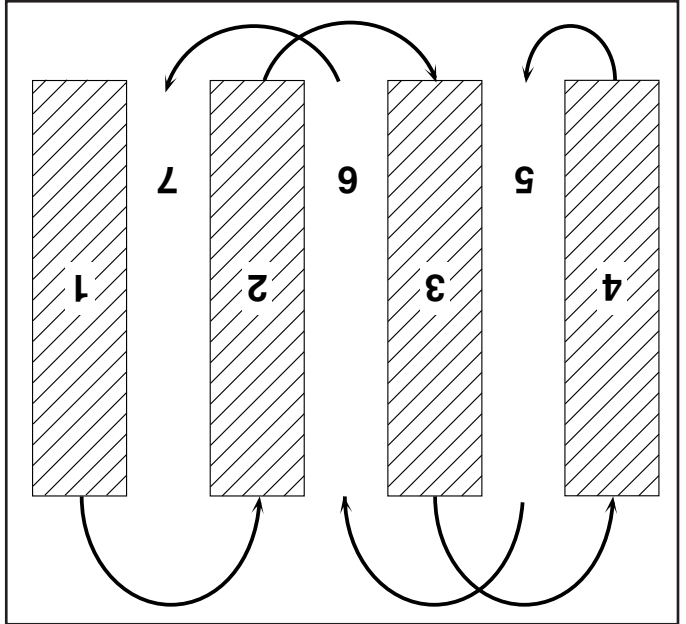


Fig. 14

- Vous trouverez le labourage beaucoup plus facile si vous laissez un sillon non bêche entre les passes. En ce temps-là retourner entre le rang de labourage (Voir la Fig. 14). Il y a deux raisons pour faire ceci. Premièrement, des virages larges sont beaucoup plus faciles à prendre que faire des demi-tours. Deuxièmement, la motobineuse ne vous entrainera pas sur la poignée. Ceci enlève du poids Ne vous appuyez pas sur la poignée. Ceci enlève du poids vraiment coriace de gazon ou de terre dure, appliquez de la pression vers le haut sur la poignée ou descendez le tasseau de profondeur.

- Le binage est un labourage peu profond entre les sillons pour arracher les mauvaises herbes et pour les empêcher de priver les plantes de l'humidité et des éléments. De plus, l'ameublissement de la couche supérieure de la croûte contribuera à la conservation de l'humidité dans le sol. La meilleure profondeur de binage se situe entre 1 et 3 pouces (2,5 à 7,5 cm). Baissez les déflecteurs latéraux extérieurs pour protéger les petites plantes.
- Biniez les lignes de long en large à une vitesse qui permette aux dents de déraciner les mauvaises herbes et de laisser le sol à l'état brut pour faire en sorte que les mauvaises herbes et le gazon n'y poussent plus (Voir la Fig. 15).

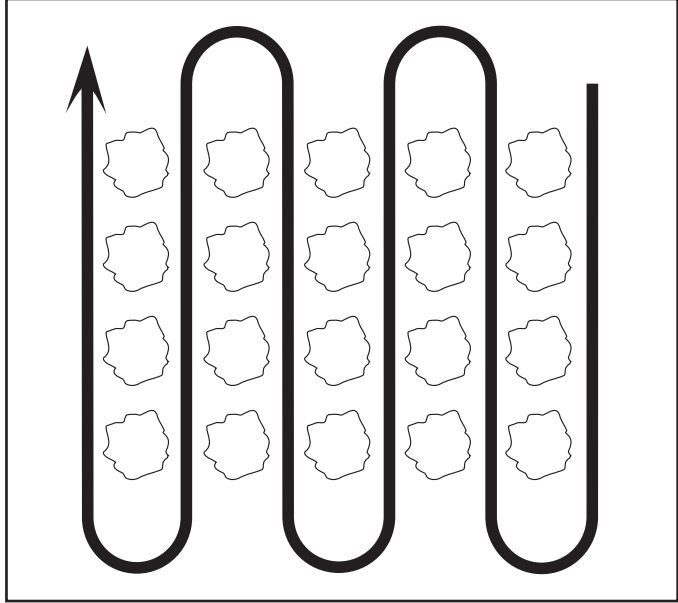


Fig. 15

BOULONS DE CISAILLEMENT DES DENTS

- Les ensembles des dents sur votre motobineuse sont fixés à l'arbre des dents avec les boulons de cisaillement ("Voyez "Remplacement des dents" dans la section de Révision et Réglages de ce manuel). Si la motobineuse est surchargée ou coincée, les boulons de cisaillement sont conçus pour casser avant que des dommages internes surviennent à la transmission.
- Si les boulons de cisaillement cassent, n'utilisez que les pièces de rechange autorisée par le fabricant de votre souffluse à neige (O.E.M.).

UTILISATION

DÉMARRAGE DU MOTEUR (Voir la fig. 13)

ATTENTION : Gardez la commande des dents à la position "OFF" lors du démarrage du moteur. Lors du démarrage initial ou si le moteur a fonctionné sans carburant, il sera nécessaire de tirer plusieurs fois sur le lanceur pour transférer le carburant du réservoir au moteur.

- Assurez-vous que la bougie d'allumage est correctement branchée.
 - Placez le robinet de carburant à la position "ON" (marche).
 - Pour faire démarrer un moteur froid, déplacez le levier de l'étrangleur à la position "ON" (marche).
 - Placez le levier de l'étrangleur éloigné de la position "SLOW" (lente), à environ un tiers de la distance de la position "FAST" (rapide).
 - Mettez le commutateur du moteur à la position "ON" (marche). Tirez lentement sur le cordon jusqu'à ce que le moteur s'engage dans un cycle de compression (le cordon sera légèrement plus difficile à tirer à ce point).
 - Tirez rapidement sur la poignée du lanceur. Ne laissez pas la poignée du lanceur heurter le démarreur en se rétractant. Répétez au besoin.
 - REMARQUE :** Si le moteur pétarde, mais ne démarre pas, déplacez l'étrangleur à mi-course. Tirez sur la poignée du lanceur jusqu'à ce que le moteur démarre.
 - Si le levier de l'étrangleur a été placé à la position "ON" (marche) pour faire démarrer le moteur, déplacez graduellement à la position opposée pendant le réchauffement du moteur.
 - REMARQUE :** Un moteur chaud requiert moins d'action de l'étrangleur pour démarrer.
 - Déplacez la commande d'étrangleur à la position de fonctionnement désirée.
 - Laissez le moteur se réchauffer pendant quelques minutes avant d'enclencher les dents.
- REMARQUE :** Si le moteur ne démarre pas, consultez les points de dépannage.

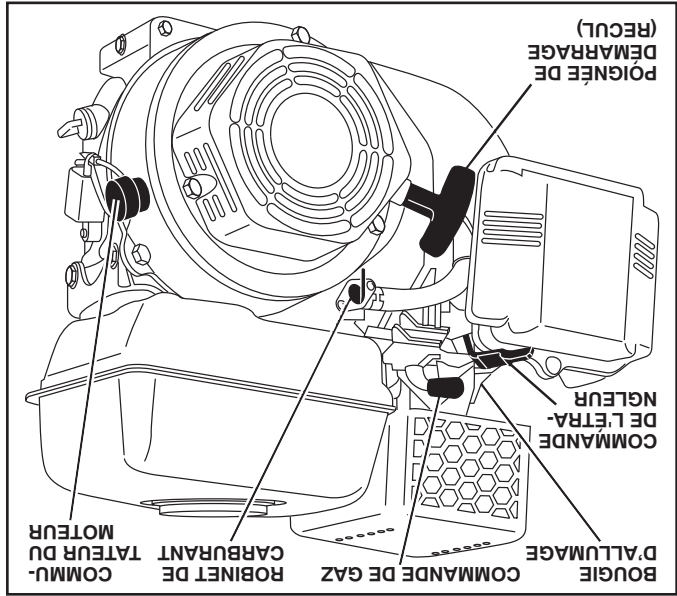


Fig. 13

Remplissez le réservoir d'essence. Remplissez le réservoir d'essence jusqu'au fond de son goulot de remplissage. N'en mettez pas trop. Utilisez de l'essence sans plomb, régulière, fraîche, et propre avec un indice d'octane au moins 87. Ne mélangez pas l'huile avec l'essence. Pour que l'essence utilisée soit fraîche, achetez des quantités qui peuvent être utilisées dans les trente jours suivant l'achat.

ATTENTION : Remplissez jusqu'à 1/2 pouce (12,5 mm) du haut du réservoir d'essence pour éviter les risques de débordement et pour permettre l'expansion du carburant. En cas d'un débordement d'essence accidentel, éloignez la motobineuse. Évitez de créer toute source d'incendie jusqu'à la disparition des vapeurs d'essence. N'en mettez pas trop.

Essayez toujours l'huile ou l'essence renversée. Vous ne devez jamais emmagasiner, répandre ou utiliser de l'essence près d'une flamme nue.

IMPORTANT : POUR ASSURER UN BON DÉMARRAGE PAR TEMPS FROID (SOUS LES 32°F/0°C), VOUS DEVEZ UTILISER DE L'ESSENCE FRAÎCHE, PROPRE ET SPÉCIALE D'HIVER.

ATTENTION : L'expérience indique que les combustibles mélangés avec l'alcool (appelés gasohol ou utilisant l'éthanol ou le méthanol) peuvent attirer l'humidité qui cause la séparation Le gaz acide peut avalier le système d'essence d'un moteur pendant l'entreposage. Pour éviter les problèmes de moteur, le système d'essence doit être vidangé avant tout l'entreposage de 30 jours ou plus. Vidangez le réservoir d'essence, démarrez le moteur et laissez-le fonctionner jusqu'à ce que les conduites de combustible et le carburateur soient vides. Utilisez de l'essence fraîche la saison suivante. Reportez-vous aux instructions sur l'entreposage pour les autres renseignements. N'utilisez jamais de produits le réservoir d'essence ou de carburateur dans permanents pourraient être causés.

UTILISATION

POUR TRANSPORTER

ATTENTION: Laissez refroidir le moteur et le silencieux avant de soulever ou transporter. Débranchez le fil de bougie d'allumage. Vidangez l'essence du réservoir.

DANS LA COUR

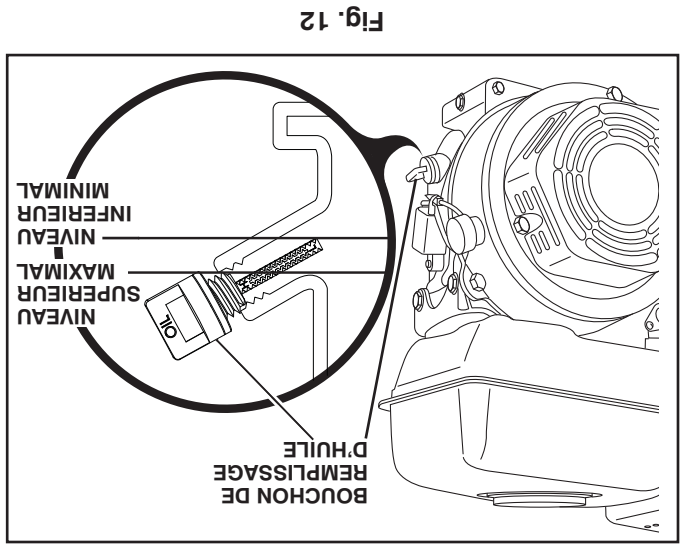
- Déclenchez la goupille de la jauge de profondeur. Déplacez vers le fond la jauge de profondeur au trou en haut pour transporter la motobineuse. Mettez la goupille de la jauge de profondeur dans le trou de la jauge de profondeur et enclenchez en position.
 - Mettez l'indicateur du levier de changement de vitesse à la position de devant (F) pour le transport.
 - Tenez la barre de commande d'entraînement contre la poignée pour commencer le mouvement de la motobineuse. Les dents ne tourneront pas.
 - Déplacez la commande des gaz à la position désirée.
- ## EN VILLE
- Débranchez le fil de bougie d'allumage.
 - Vidangez le réservoir d'essence.
 - Ne penchez pas la motobineuse sur le côté pendant le transport afin d'éviter une fuite d'huile.

AVANT LE DÉMARRAGE DU MOTEUR

IMPORTANT: FAITES ATTENTION DE NE PAS PERMETTRE QUE DES CONTAMINANTS ENTRENT DANS LE MOTEUR LORSQUE VOUS FAITES LA VÉRIFICATION, OU LE REMPLISSAGE DE L'HUILE OU DU CARBURANT. UTILISEZ-LES DANS DES RÉCIPENTS PROPRES, COUVERTS QUI ONT ÉTÉ APPRouvÉS. UTILISEZ DES ENTONNOIRS PROPRES.

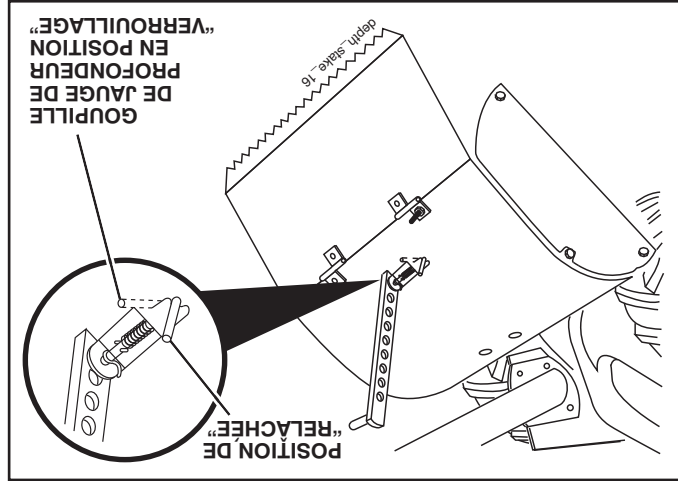
- Le moteur de votre appareil a été rempli à l'usine avec l'huile SAE 30 d'été avant l'expédition.
- Le moteur de niveau, lavez l'air autour du bouchon de remplissage d'huile et enlevez le bouchon.
- L'huile de moteur devrait être remplie jusqu'au point de débordement quand le moteur est de niveau. Voir la section "SPECIFICATIONS DU PRODUIT" de ce manuel. Toute l'huile doit être conforme au service d'A.R.I., classification SF ou SL.
- Pour un démarrage facile pendant l'hiver, on devrait remplacer l'huile. (Voir le tableau de viscosité d'huile dans la section de entretien de ce manuel).
- Pour remplacer l'huile, voir la section de entretien de ce manuel.

REMPILIR LE MOTEUR D'HUILE (Voir Fig. 12)



LABOURAGE (Voir la Fig. 11)

- Déclenchez la goupille du jauge de profondeur. Tirez vers le haut le jauge pour augmenter la profondeur du labourage. Mettez la goupille dans le trou du jauge de profondeur pour verrouiller celui-ci.
 - Déplacez l'indicateur de levier de changement de vitesse à la position labourage.
 - Maintenez la barre de commande d'entraînement contre les roues tourneront.
 - Mettez la commande des gaz à la position rapide ("FAST") pour un labourage plus profond. Pour biner, la commande des gaz peut être déplacée à la position désirée.
- IMPORTANT:** RELÂCHEZ TOUJOURS LA BARRE DE COMMANDE D'ENTRAÎNEMENT AVANT DE DÉPLACER LE LEVIER DE CHANGEMENT DE VITESSE AUNE AUTRE POSITION.



VIRER

- Relâchez la barre de commande d'entraînement.
- Déplacez la commande des gaz à la position lente ("SLOW").
- Mettez l'indicateur de levier de changement de vitesse à la position de devant ("F"). Les fraises ne tourneront pas.
- Soulevez la poignée pour élever les fraises du sol.
- Tournez la poignée dans la direction opposée de la direction que vous voudriez virer, faites attention que les pieds et les jambes ne sont pas près des fraises.
- Quand vous avez fini de changer la direction, relâchez la barre de commande d'entraînement et baissez la poignée. Mettez le levier de changement de vitesse en position labourage ("T") et déplacez la commande des gaz à la position désirée. Pour commencer le labourage, tenez la barre de commande d'entraînement contre la poignée.

UTILISATION

Utiliser des protecteurs d'oreilles pour éviter tout dommage à l'audience.



L'utilisation d'une motobineuse présente le risque de la projection des particules dans les yeux, ce qui peut causer des blessures sérieuses. Portez toujours des lunettes de sécurité ou une visière de sécurité panoramique pour ceux qui portent des lunettes ou des lunettes de sécurité standard. Lorsque vous labourez, nous recommandons une visière de sécurité panoramique pour ceux qui portent des lunettes ou des lunettes de sécurité standard.



COMMENT UTILISER VOTRE MOTO-BINEUSE

Assurez-vous de connaître toutes les commandes avant d'ajouter l'essence, l'huile ou avant de démarrer le moteur.

ARRÊT (voir la fig. 9)

FRAISES ET ENTRAÎNEMENT

- Relâchez la barre de commande d'entraînement pour arrêter le mouvement.
- Placer le levier de changement de vitesse / désengagement d'urgence sur la position « N » (point mort).

IMPORTANT : POUR ARRÊTER LES DENTS ET LA ROUE D'ENTRAÎNEMENT EN CAS D'URGENCE, PLACER LE LEVIER DE CHANGEMENT DE VITESSE / DÉSENGAGEMENT D'URGENCE EN POSITION DE POINT MORT / DÉSENGAGEMENT D'URGENCE.

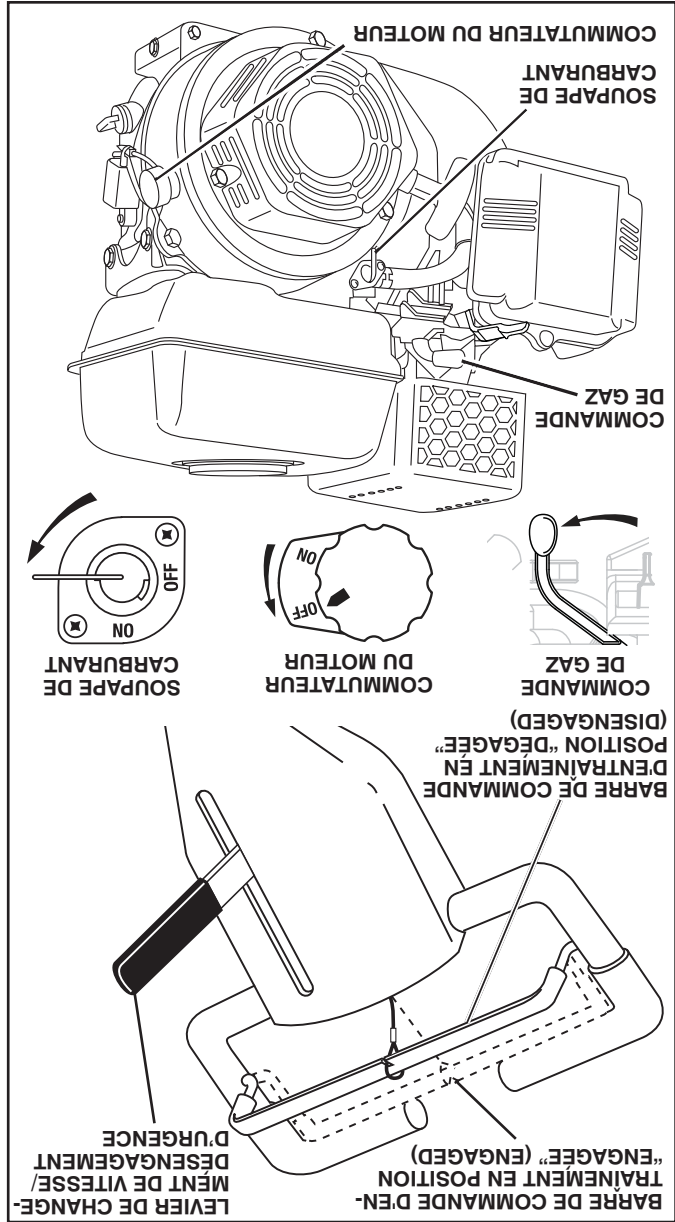


Fig. 9

MOTEUR

- Placez la commande d'étrangleur à la position "SLOW" (LENTE) et laissez le moteur tourner lentement pour qu'il refroidisse.
 - Mettez le commutateur du moteur à la position "OFF" (ARRÊT).
 - Mettez le levier du robinet de carburant à la position "OFF" (ARRÊT).
- IMPORTANT:** POUR COUPER LE MOTEUR EN CAS D'URGENCE, TOURNÉZ LE COMMUTATEUR DU MOTEUR À LA POSITION "OFF" (ARRÊT).

MARCHE AVANT-ROUES SEULEMENT / LES FRAISES ARRÊTÉES

- Relâchez la barre de commande d'entraînement et déplacez l'indicateur de levier de changement de vitesse à la position de devant ("F"). Engagez la barre de commande d'entraînement et la motobineuse marchera en avant.

MARCHE ARRIÈRE-ROUES SEULEMENT / LES FRAISES ARRÊTÉES

- NE VOUS POSITIONNEZ PAS DIRECTEMENT DERRIÈRE LA MOTOBINEUSE.
- Relâchez la barre de commande d'entraînement.
- Déplacez la commande des gaz à la position lente ("SLOW").
- Déplacez l'indicateur de levier de changement de vitesse à la position marche arrière ("R").
- Tenez la barre de commande d'entraînement contre la poignée pour commencer le déplacement de motobineuse.

C'EST DIFFICILE DE CHANGER LES VITESSES.

- Engagez subitement la barre de commande d'entraînement et relâchez ou basculez la tige braquante en avant et en arrière jusqu'à ce qu'il est possible de déplacer les changements de vitesse.

JAUGE DE PROFONDEUR (voir la Fig. 10)

Le jauge de profondeur peut être soulevé ou baissé pour vous donner le labourage et le binage aux usages variés ou pour le transport facile de votre motobineuse.

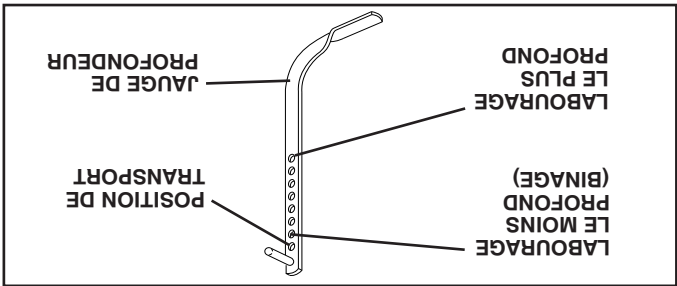


Fig. 10

UTILISATION

CONNAISSEZ VOTRE MOTOBINEUSE

LISEZ CE MANUEL DU PROPRIÉTAIRE ET LES RÈGLES DE SÉCURITÉ AVANT D'UTILISER VOTRE MOTOBINEUSE.

Comparez les illustrations à votre motobineuse pour connaître les positions des différentes commandes et les différents réglages. Conservez ce manuel.

Ces symboles peuvent figurer sur votre motobineuse ou dans les publications fournies avec le produit. Apprenez et comprenez la signification des symboles.

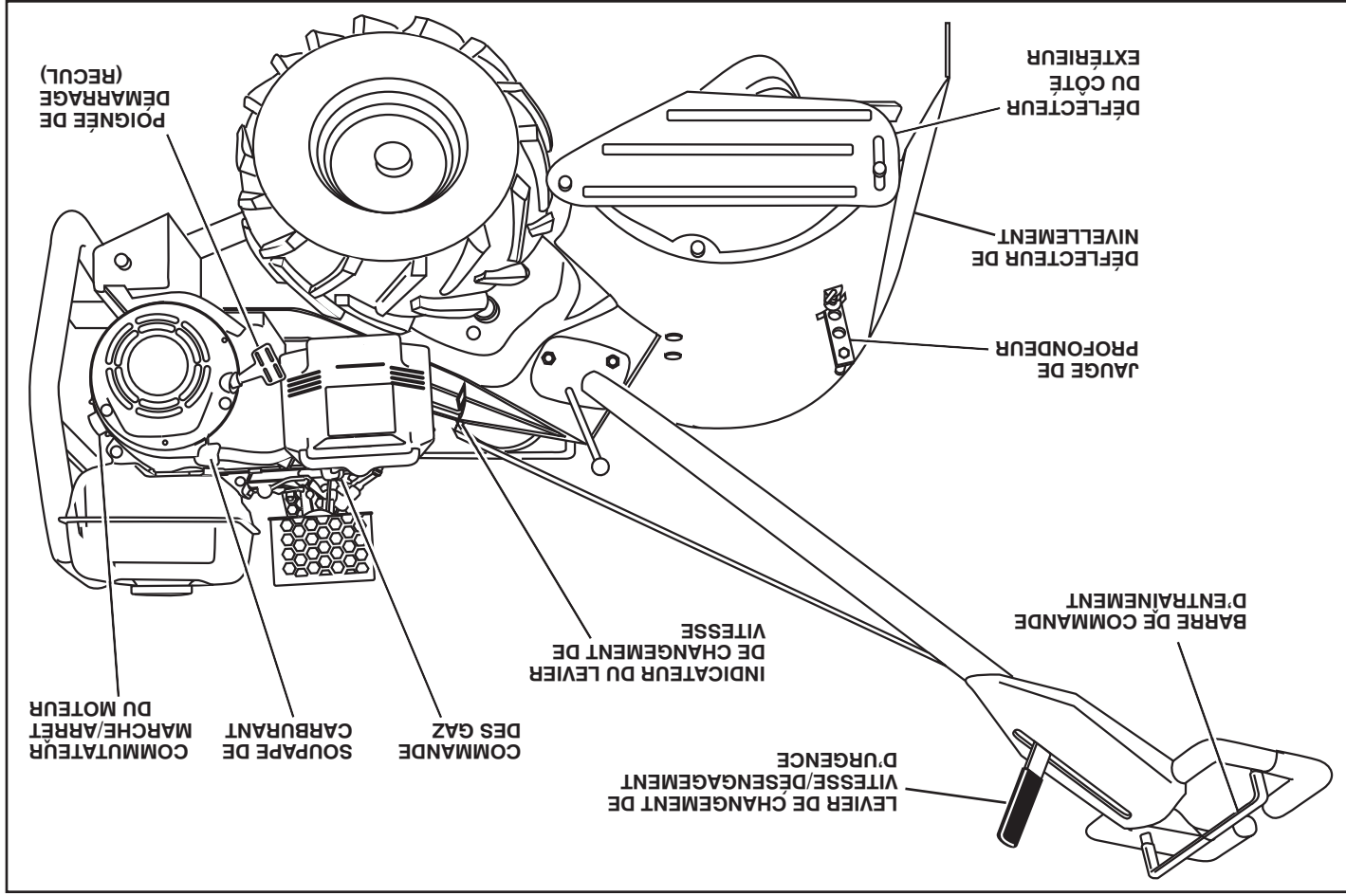


Fig. 8

Cette motobineuse sont conformes aux normes de sécurité standard du "American National Standards Institute".

BARRE DE COMMANDE D'ENTRAÎNEMENT - permet d'engager la motobineuse.

COMMUTATEUR MARCHÉ/ARRÉT DU MOTEUR- Le commutateur du moteur permet et neutralise le circuit d'allumage.

SOUPAPE DE CARBURANT - La soupape de carburant ouvre et ferme le passage entre le réservoir de carburant et le carburateur.

COMMANDE DES GAZ - permet de commander la vitesse du moteur.

DÉFLECTEUR DE NIVELLEMENT - employé pour niveler le sol.

8

DÉFLECTEUR DU CÔTÉ EXTÉRIEUR - réglable afin de protéger les petites plantes d'être enterrées.

JAUGE DE PROFONDEUR - commande la profondeur auxquelles la motobineuse bêche.

LEVIER DE CHANGEMENT DE VITESSE / D'URGENCE - Permet de passer les vitesses de transmission et de désengager les roues et dents d'entraînement.

INDICATEUR DU LEVIER DU CHANGEMENT DE VITESSE - indique la position de l'engrenage de la transmission.

POIGNÉE DE DÉMARRAGE (RECU) - permet de démarrer le moteur.

MONTAGE

ENLEVER LA MOTOBINEUSE DU CARTON

- Ajustez l'ensemble du guidon à la position la plus basse. Assurez-vous que le levier de frein est en position.
- Assurez-vous que l'indicateur de levier de changement de vitesse est en position point mort ("N") (Voir la fig. 7).
- Penchez vers le devant la motobineuse en levant la poignée. Séparez le couvercle en carton du déflecteur de niveaulement.
- Tournez la poignée de motobineuse à la droite et enlevez la motobineuse du carton.

VERIFIER LA PRESSION DE PNEU

Les pneus ont été surgonflés à l'usine pour l'expédition. La pression doit être la même pour les deux pneus pour obtenir les meilleurs résultats de labourage.

- Vérifiez si les pneus sont correctement gonflés à la pression indiquée sur les pneus.

HAUTEUR DE POIGNÉE

- La hauteur de poignée peut être réglée pour convenir à l'opérateur. (Voir la section de "REGLER LA HAUTEUR DE POIGNÉE" dans la section ce manuel.)

INSERER LE GUIDE DE CÂBLE (Voir fig. 6)

- Insérez le guide de câble en plastique dans le trou qui se trouve à l'arrière de la colonne de poignée. Poussez les câbles dans le guide.

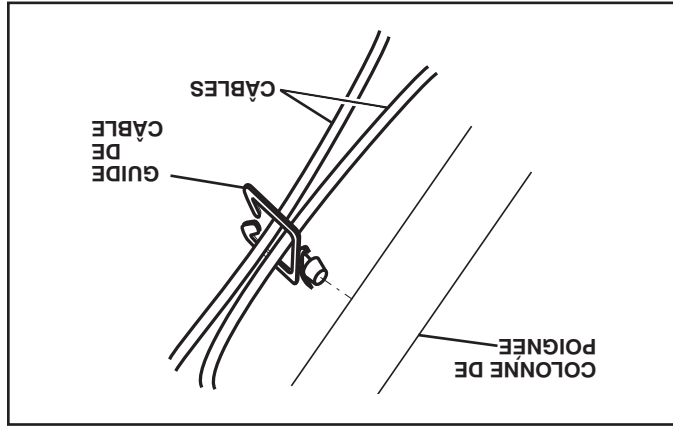


Fig. 6

RACCORDER LA TIGE DE CHANGEMENT DE VITESSE (Voir la fig. 7)

- Insérez l'extrémité de la tige de changement de vitesse sans la plier dans le trou de l'indicateur de levier de changement de vitesse.
- Insérez le collier en épingle à cheveux à travers le trou de la tige de changement de vitesse pour la fixer.

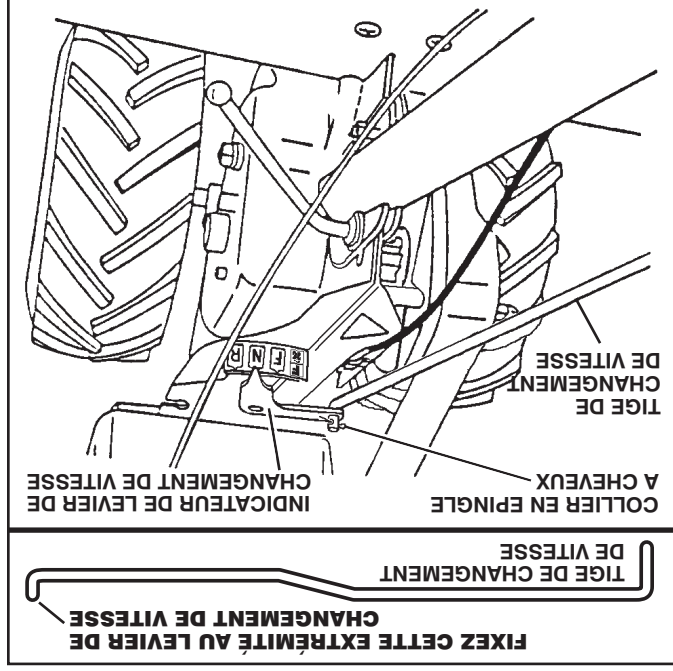


Fig. 7

MONTAGE

DÉBALLER LE CARTON (Voir la fig. 2)

ATTENTION: Faites attention aux agrafes du carton quand vous maniez ou vous défaites du matériel de carton.

IMPORTANT: LORSQUE VOUS DÉBALLER OU MONTEZ LA MOTOBINEUSE, FAITES ATTENTION A NE PAS ALLONGER OU ENTORTILLER LE(S) CABLE(S).

- Pendant que vous tenez l'ensemble de la poignée, coupez les attaches plastiques qui fixent l'ensemble de la poignée au cadre supérieur. Laissez appuyer l'ensemble de la poignée sur la motobineuse.
- Enlevez le cadre supérieur du carton.
- Soulevez lentement l'ensemble de la poignée et posez-le sur le sommet du carton.
- Coupez les coins droits au devant et à l'arrière du carton et enlevez les matériaux d'emballage de l'ensemble de la poignée.
- Séparez la tige de changement de vitesse de l'ensemble de la poignée.

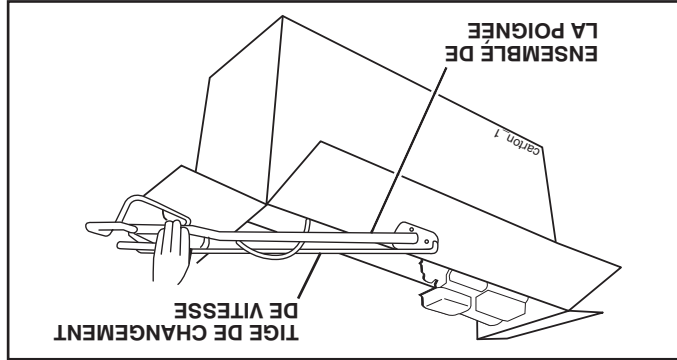


Fig. 2

- Insérez un verrou de poignée (avec les dents vers l'extérieur) dans l'encoche de la boîte de vitesse. (Appliquez de la graisse sur le côté lisse du verrou de poignée pour conserver le verrou en position jusqu'à ce que l'ensemble de la poignée soit baissé en position.)

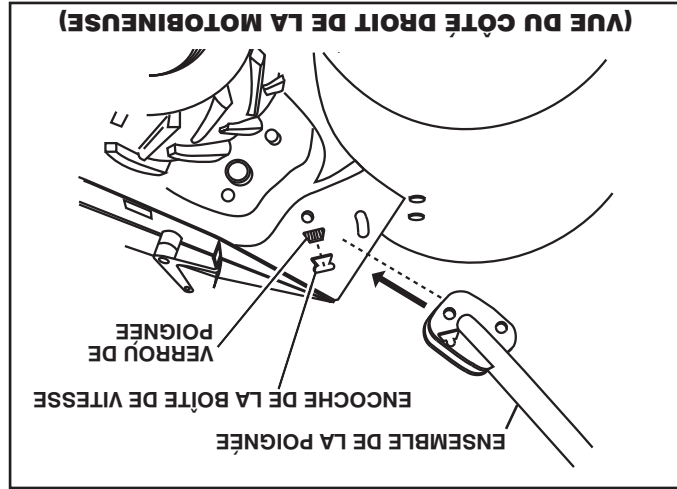


Fig. 3

- Empoignez l'ensemble de la poignée. Tenez-le en position "haute". Assurez-vous que le verrou de poignée reste dans l'encoche de la boîte de vitesse. Glissez l'ensemble de la poignée en position.

6

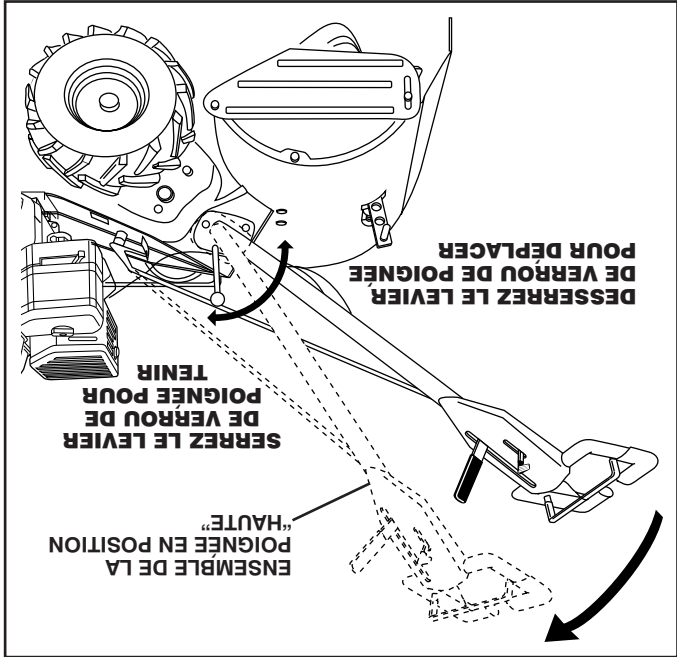


Fig. 4

- Pivotez vers en bas l'ensemble de la poignée. Insérez premièrement le boulon de chariot arrière, avec la tête du boulon sur le côté gauche de la motobineuse et montez lâchement l'écrou frein (voir la fig. 5).

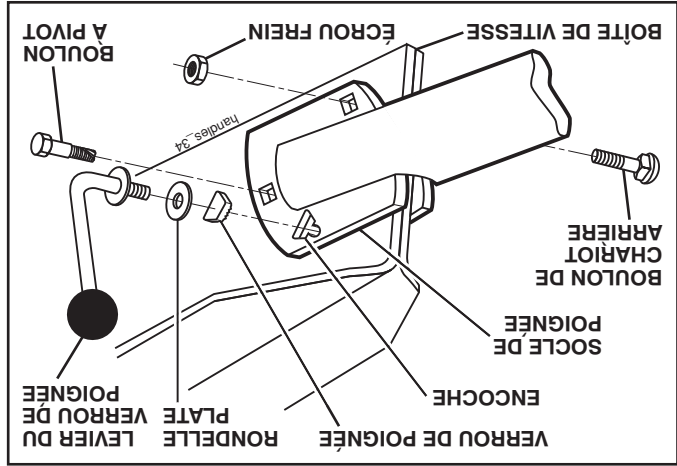


Fig. 5

- Insérez le boulon à pivot dans la section antérieure de la plaque, et serrez à fond.
- Coupez les coins restant du carton et mettez-les plats. Baissez l'ensemble du guidon. Serrez l'écrou sur le boulon de chariot afin que la poignée bouge avec résistance. Ceci permettra un réglage plus facile.
- Mettez la rondelle plate sur l'extrémité fileté du levier de verrou de poignée.
- Insérez le levier du verrou de poignée à travers du socle de poignée et la boîte de vitesse. Vissez assez du levier du verrou de poignée pour maintenir en place le levier.
- Insérez le verrou de poignée argent plus mince (les dents vers l'intérieur) dans l'encoche du socle de poignée (à l'intérieur de la rondelle).
- Mettez l'ensemble de la poignée à la position la plus haute et serrez à fond le levier de verrou de poignée.
- Mettez l'ensemble de la poignée à la position la plus haute dans le sens des aiguilles d'une montre. Il sera plus facile de connecter la tige de changement de vitesse en laissant l'ensemble de la poignée à la position la plus haute.

MONTAGE

Votre nouvelle motobineuse a été montée à l'usine sauf certaines pièces en vue de l'expédition. Pour s'assurer d'une utilisation correcte et sûre de votre motobineuse, toutes les pièces et ferrures que vous assemblez doivent être serrées à fond. Utilisez les bons outils.

LES OUTILS EXIGES POUR LE MONTAGE

Un jeu des clés à douille facilitera l'assemblage. Les dimensions normales des clés sont indiquées:

- (1) Couteau à tout usage
- (1) Coupeur de fil
- (1) Tournevis
- (1) Manomètre à pneu
- (1) Pince
- (1) Clé de 9/16"
- (2) Clés de 7/16"
- (2) Clés de 1/2"

POSITION D'OPERATEUR (Voir la Fig. 1)

Quand on utilise l'expression "droite" ou "gauche", l'utilisateur est en position derrière le guidon.

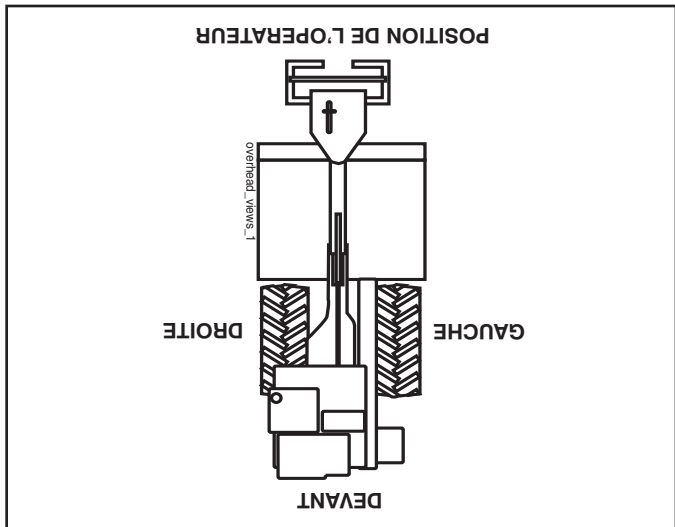

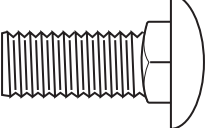
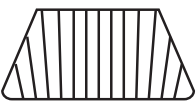
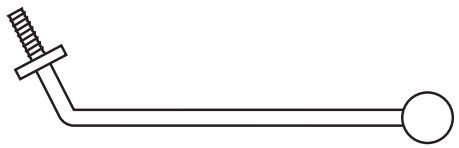
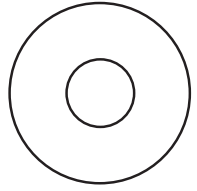
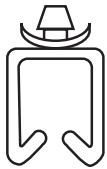
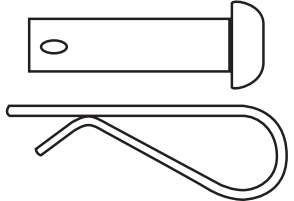
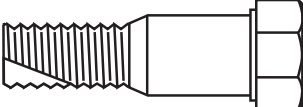
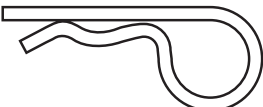


Fig. 1

CONTENU DU SAC DES PIÈCES

| | | |
|---|--|---|
| <p>(1) Ecrin frein à bride 3/8-16 UNC</p>  | <p>(1) Boulon de chariot 3/8-16 UNC x 1 Cat. 5</p>  | <p>(2) Verrou de poignée</p>  |
| <p>(1) Levier de verrou de poignée</p>  | <p>(1) Rondelle plate 13/32 x 1 x 11 Ja.</p>  | <p>(1) Collier de serrage de câble</p>  |
| <p>Boulons des cisaillement & pince</p>  | <p>(1) Boulon à Pivot 3/8-16 UNC Cat. 5</p>  | <p>(2) Collier en épinglé à cheveux</p>  |

SPÉCIFICATIONS DU PRODUIT

| |
|---|
| Capacité et type d'essence : 1,47 Qts. de Gallon (1,4 L) (L'essence sans plomb normale) |
| Type d'huile (API SJ-SN) : SAE 30 (à plus de 0°C/32°F) (Capacité : 16 oz / 0,47 L) SAE 5W-30 (à moins de 0°C/32°F) |
| Bougie d'allumage : NGK BPR6ES (Écart : 0,010 po / 0,25 mm) TORCH F6RTC |

FÉLICITATIONS pour votre achat d'une motobineuse. Elle a été conçue, perfectionnée, et fabriquée pour assurer le bon fonctionnement et la sûreté maximum.

En cas d'un problème que vous ne pouvez pas résoudre, contactez le centre d'entretien autorisé le plus proche. Vous y trouverez les techniciens qualifiés et les outils appropriés pour l'entretien et la réparation de cette machine.

Veillez lire et conserver ce manuel. Les instructions qu'il contient vous permettront de monter, et d'entretenir correctement votre motobineuse. Observez toujours les "RÈGLES DE SÉCURITÉ".

RESPONSABILITÉS DU CLIENT

- Lisez et faites attention aux règles de sécurité.
- Suivez un programme habituel d'entretien, de soin, et d'utilisation de la motobineuse.
- Suivez les instructions dans les sections des Entretien et d'Entreposage de ce manuel du propriétaire.

IMPORTANT: CETTE MACHINE EST MUNI D'UN MOTEUR À COMBUSTION INTERNE ET NE DEVAIT PAS ÊTRE UTILISÉE OU PRÈS D'UN TERRAIN COUVERT DES ARBRES, DES ARBRISSEAUX, OU DES HERBES SI LE SYSTÈME D'ÉCHAPPEMENT N'EST PAS MUNI D'UN PARE-ÉTINCELLES RENCONTRANT LES EXIGENCES DES LOIS LOCALES APPLICABLES. QUAND UN PARE-ÉTINCELLES EST UTILISÉ, IL DEVAIT ÊTRE MAINTENU EN BON FONCTIONNEMENT PAR L'OPÉRATEUR.

VOIR LE CENTRE D'ENTRETIEN AUTORISÉ LE PLUS PROCHE POUR LE PARE-ÉTINCELLES.

SOUTIEN/AIDE

Si vous avez besoin d'aide ou si vous avez des questions concernant l'utilisation, le fonctionnement, l'entretien ou les pièces pour votre produit :

- Visitez notre site Web : www.poulanpro.com
- Appelez nous sans frais : 1-800-849-1297

SOMMAIRE

| | |
|--------------------------------|-------|
| RÈGLES DE SÉCURITÉ..... | 2 |
| RESPONSABILITÉS DU CLIENT..... | 4 |
| SPÉCIFICATIONS DE PRODUIT..... | 4 |
| MONTAGE..... | 5-7 |
| UTILISATION..... | 8-12 |
| CALENDRIER D'ENTRETIEN..... | 13 |
| ENTRETIEN..... | 13-15 |
| RÉVISION ET RÉGLAGES..... | 16-18 |
| ENTREPOSAGE..... | 19 |
| GUIDE DE DÉPANNAGE..... | 20 |

RÈGLES DE SÉCURITÉ

MESURES DE SÉCURITÉ D'UTILISATION DES MACHINES ROTATIVES DONT LE CONDUCTEUR EST À PIED À L'ARRIÈRE ROTOCULTEURS ET CULTIVATEURS À MAIN



- N'utilisez pas le rotoculteur sous l'influence d'alcool ou de drogues.
- Le travail à l'aide d'un rotoculteur à conduite à pied à l'arrière est fatigant. Il faut être en bonne condition physique et mentale. En cas d'interdiction de travaux fatigants pour des questions de santé, consulter un médecin avant d'utiliser un rotoculteur à conduite à pied à l'arrière.

ENTRETIEN ET ENTREPOSAGE

- Maintenir la machine, ses compléments et ses accessoires en bon état de fonctionnement.
- Vérifier que les boulons de cisaille, les boulons de montage du moteur et les autres boulons ne sont pas desserrés pour s'assurer que l'équipement fonctionne et peut être utilisé sans danger.
- Ne jamais entreposer la machine avec du carburant dans le réservoir à l'intérieur ou existent des sources d'ignition telles que, chauffe-eau, chaudière, séchoir à vêtements, et autres. Laisser le moteur refroidir avant de le remettre dans un endroit clos.
- Toujours se référer au manuel d'utilisation pour les informations importantes si le rotoculteur doit être remis pour une période prolongée.
- Si le réservoir de carburant doit être vidé, le faire à l'extérieur. Suivre les recommandations du fabricant concernant la sécurité du chargement, du déchargement, du transport et de l'entreposage de la machine.

- IMPORTANT -

ATTENTION, IMPORTANT, ET REMARQUE SONT UN MOYEN D'ATTIRER VOTRE ATTENTION SUR DE L'INFORMATION IMPORTANTE DANS CE MANUEL.

IMPORTANT: CE SYMBOLE ATTIRE VOTRE ATTENTION SUR LES RISQUES DE DOMMAGES À L'ÉQUIPEMENT

REMARQUE: CE MOT ATTIRE VOTRE ATTENTION SUR LA COMPRÉHENSION, L'INTÉGRATION OU L'EXECUTION D'INSTRUCTIONS.

Ce symbole signale les points importants en matière de sécurité. Il signifie - ATTENTION !!!, SOYEZ PRUDENT !!! VOTRE SÉCURITÉ EST EN JEU.



ATTENTION: Débranchez toujours le fil de bougie d'allumage et pour prévenir les démarrages accidentels, posez-le de telle façon qu'il ne puisse pas entrer en contact avec la bougie d'allumage lors de l'installation, du transport, des ajustements ou des réparations.



Il est connu par l'état de Californie que les gaz d'échappement du moteur de ce produit contiennent des produits chimiques lesquels, dans certaines quantités, peuvent causer du cancer, de l'infirmité de naissance, et d'autre endommagement du système reproducteur.



AVERTISSEMENT



MESURES DE SÉCURITÉ D'UTILISATION DES MACHINES ROTATIVES DONT LE CONDUCTEUR EST À PIED À L'ARRIÈRE ROTOCULTEURS ET CULTIVATEURS À MAIN



RÈGLES DE SÉCURITÉ

FORMATION

- Lire toutes les instructions des manuels et celles sur la machine avant de démarrer la machine. Bien connaître les commandes et l'utilisation appropriée de l'équipement. Savoir arrêter la machine et débayer rapidement les commandes.
- Ne jamais laisser un enfant manœuvrer la machine. Ne jamais laisser des adultes utiliser cet équipement sans avoir reçu les instructions pertinentes.
- Ne laisser personne s'approcher de la zone de travail, en particulier les jeunes enfants et les animaux.

PRÉPARATION

- Inspecter minutieusement l'endroit où l'équipement doit être utilisé et enlever tout corps étranger.
- Désengager tous les embrayages et mettre au point mort avant de démarrer le moteur.
- Ne pas utiliser les machines en shorts et en sandales. Porter comme des gants, des chaussures appropriées et des protections pour les yeux.

MANIPULATION SÉCURITAIRE DE L'ESSENCE :

- Pour éviter les blessures corporelles et les dommages matériels, prendre grand soin dans la manipulation de l'essence. L'essence est extrêmement inflammable et les vapeurs sont explosives.
- a) Éteindre cigarettes, cigares, pipes et autres sources d'ignition.
- b) Utiliser uniquement un conteneur d'essence homologué.
- c) Ne jamais retirer le bouchon d'essence ni ajouter du carburant lorsque le moteur est en marche.
- d) Laisser le moteur refroidir avant de remplir le réservoir.
- e) Ne jamais remplir le réservoir à l'intérieur d'un bâtiment.
- f) Ne jamais entreposer la machine ou le bidon d'essence à proximité d'une flamme nue, d'étincelles, d'une veilleuse comme on en trouve dans un chauffe-eau ou dans tout autre appareil similaire.
- g) Ne jamais remplir des contenants de carburant à l'intérieur d'un véhicule ou sur la plateforme d'un camion ou d'une remorque avec une garniture en plastique. Toujours placer les contenants sur le sol loin d'un véhicule avant le remplissage.
- h) Retirer tout équipement à essence du camion ou de la remorque et faire le remplissage sur le sol. Quand cela n'est pas possible, faire le remplissage de tel équipement avec un bidon portable plutôt qu'avec un pistolet distributeur d'essence.

- Utiliser rallonges et réceptacles conformes à celles spécifiées par le fabricant pour toutes les machines à moteur électrique ou à démarrage électrique.
- Utiliser rallonges et réceptacles conformes à celles spécifiées carurant.
- source d'ignition jusqu'à la disparition des vapeurs de machine de la zone de déversement et éviter toute sayer de faire démarrer le moteur, mais éloigner la En cas de déversement de carburant, ne pas es-
- i) Remettre le bouchon d'essence en place et bien serrer. Ne jamais trop remplir un réservoir de carburant.
- j) En cas de déversement de carburant sur les vêtements, changer immédiatement de vêtements.
- k) Faire preuve d'extrême prudence lors d'une manœuvre en marche arrière ou en tirant la machine vers soi. Pour éviter d'une distance suffisante à celle-ci avant d'inverser la marche à proximité d'un mur ou d'une clôture. Pour les machines dotées d'une marche arrière motorisée, familiarisez-vous avec l'utilisation de la commande d'arrêt d'urgence. Elle offre un moyen secondaire d'arrêter l'action des dents et de la roue d'entraînement en cas d'urgence.
- Ne pas modifier les paramètres du régulateur de vitesse du moteur ni emballer le moteur.
- Démarrer la machine ou allumer le moteur en suivant attentivement les instructions et en tenant les pieds à l'écart des dents.
- Ne jamais soulever ou porter la machine pendant que le moteur est en marche.

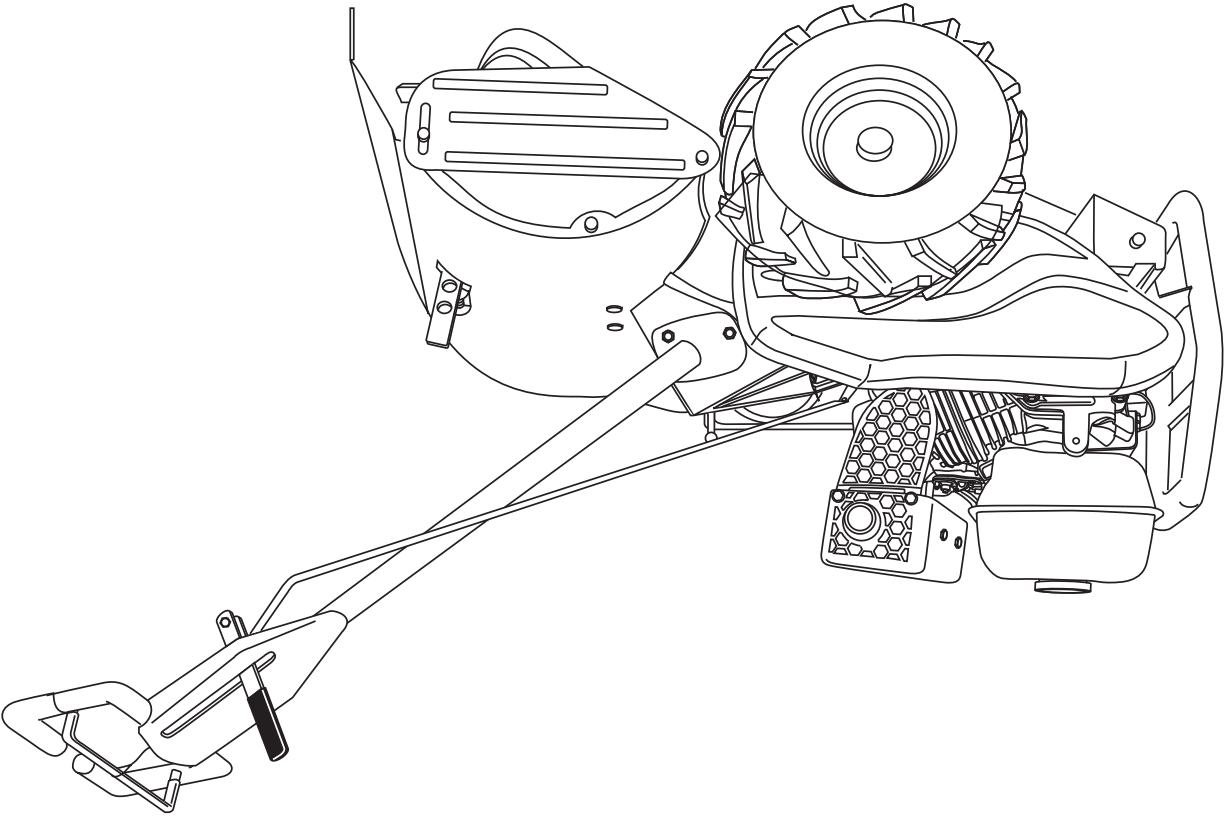
- Ne jamais essayer de faire des réglages pendant que le moteur est en marche (sauf la ou spécifiée par recommandation du fabricant).

FONCTIONNEMENT

- Ne pas laisser les mains, les pieds, ni d'autres parties du corps ou vêtements à proximité des dents en rotation ou de toute autre pièce en mouvement. Les dents commencent à tourner dès que le démarrage du moteur et l'engagement du dispositif actif. Les dents peuvent tourner encore un moment après le désengagement du dispositif actif.
- Faire preuve d'extrême prudence au moment de circuler sur des surfaces de gravier. Faire attention aux dangers non évidents et à la circulation.
- Après avoir heurté un objet étranger, arrêter le moteur, enlever le câble de la bougie et l'allumage (ou débarrasser le fil des appareils électriques), bien inspecter la machine pour vérifier qu'il n'y a pas de dommage et réparer la machine avant de redémarrer et d'utiliser la machine.
- Faire preuve de prudence pour éviter de glisser ou de tomber. Si la machine se met à vibrer anormalement, arrêter le moteur et rechercher immédiatement la cause. Les vibrations indiquent généralement l'existence de problèmes.
- Arrêter le moteur en quittant la position de conduite, avant de dégager les dents, lors de réparations, de réglages et d'inspections.
- Arrêter le moteur avant de laisser la machine sans surveillance.

- Ne pas dépasser la capacité de la machine en tentant de cultiver trop profondément trop rapidement.
- Ne pas utiliser la machine à des vitesses trop élevées sur des surfaces dures ou glissantes.
- Ne jamais laisser des personnes s'approcher de la machine, notamment les jeunes enfants.
- Utiliser les appareils et accessoires approuvés par le fabricant de la machine (tels que les poids de roue, contre-poids ou autres).
- Ne jamais utiliser le rotoculteur sans une bonne visibilité ou lumière.
- Faire preuve de prudence en cultivant dans un sol dur. Les dents pourraient se coincer dans le sol et propulser le rotoculteur vers l'avant. Si cela se produit, lâcher le guidon et ne pas tenter de retenir la machine.
- Faire preuve d'extrême prudence lors d'une manœuvre en marche arrière ou en tirant la machine vers soi. Pour éviter d'une distance suffisante à celle-ci avant d'inverser la marche à proximité d'un mur ou d'une clôture. Pour les machines dotées d'une marche arrière motorisée, familiarisez-vous avec l'utilisation de la commande d'arrêt d'urgence. Elle offre un moyen secondaire d'arrêter l'action des dents et de la roue d'entraînement en cas d'urgence.
- Ne jamais soulever ou porter la machine pendant que le moteur est en marche.

POULAN[®]PRO



MANUEL DU OPÉRATEUR

MODÈLE:

PPCRT17

MOTOBINEUSE

À FRAISE ARRIÈRE

Portez toujours des lunettes de sécurité lors de l'utilisation.

Visitez notre site web: www.poulanpro.com

Vous pouvez utiliser de l'essence contenant jusqu'à 10 % d'éthanol (E10) avec cet appareil. L'utilisation d'essence contenant plus de 10 % d'éthanol annulera la garantie du produit.

10.11.17 SR
Imprimé aux E.-U.

115 78 55-32 Rev. 3

AVERTISSEMENT:



Lisez soigneusement le manuel suivez tous les avertissements et les instructions de sécurité. Les blessures sérieuses peuvent en résulter si vous ne lisez pas ces avertissements et instructions de sécurité.